

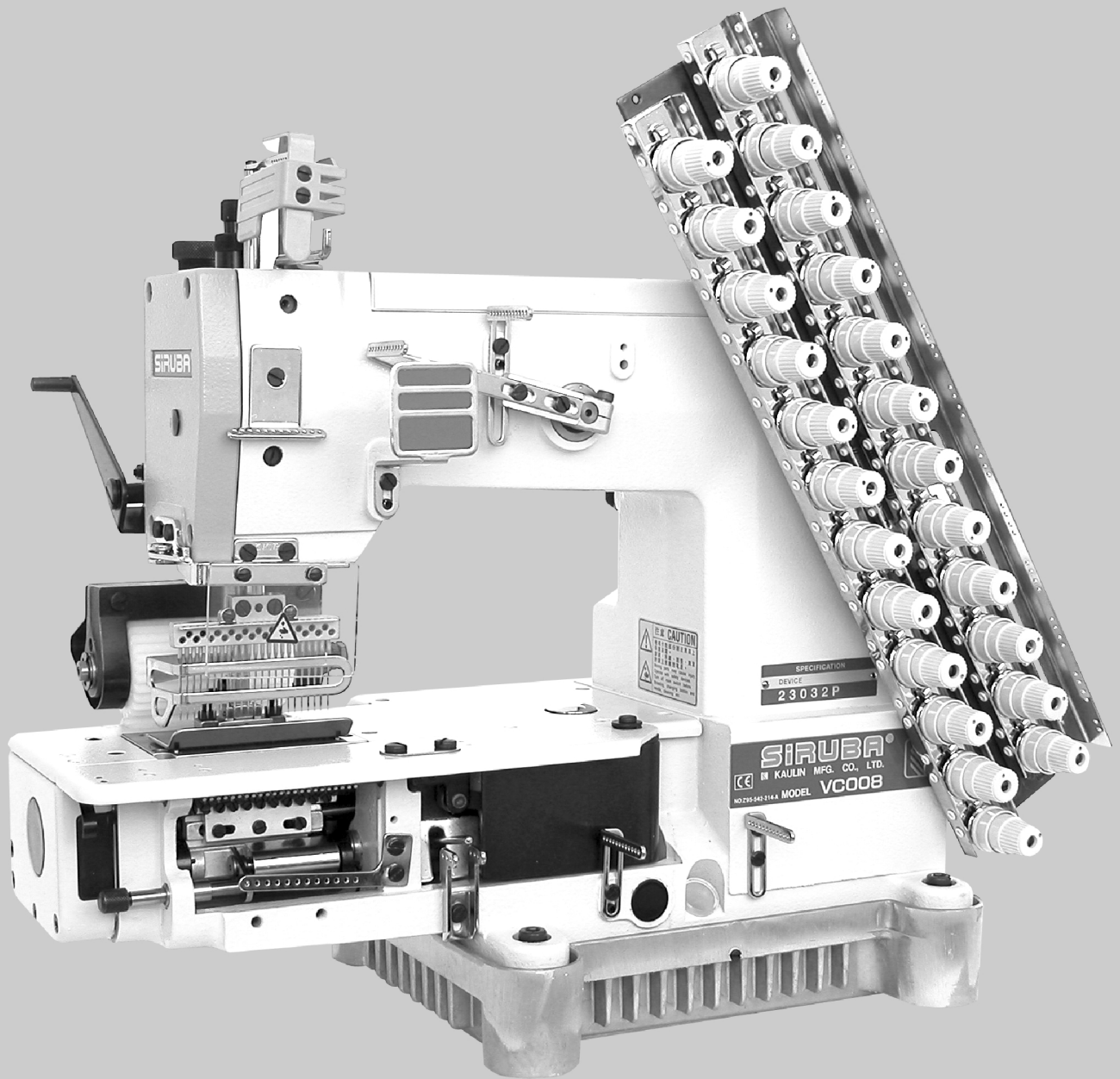
SIRUBA®

銀命牌工業用縫紉機

INDUSTRIAL SEWING MACHINE

VC008 ATTACHMENT

零件圖 PARTS LIST

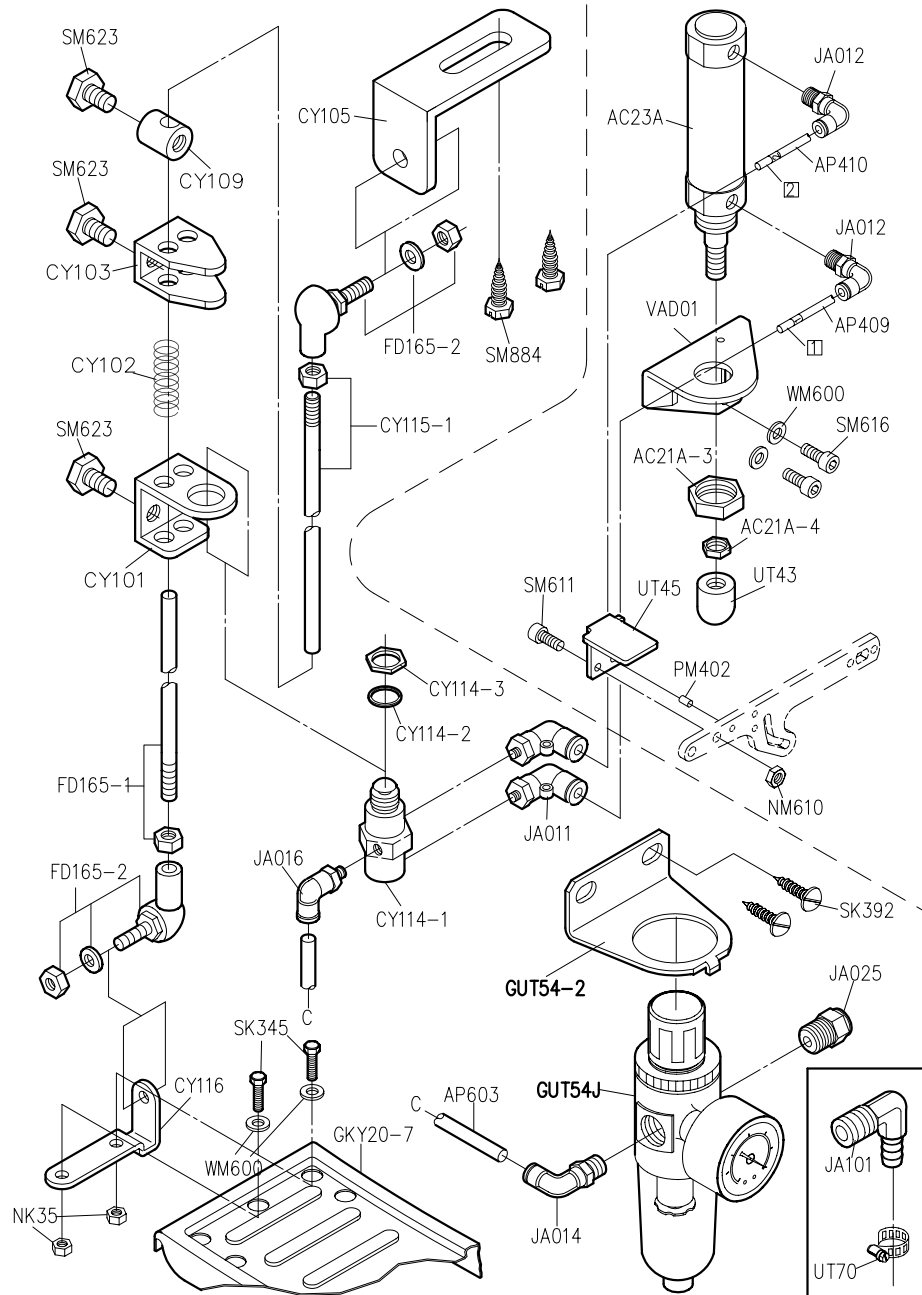


From the library of: Diamond Needle Corp

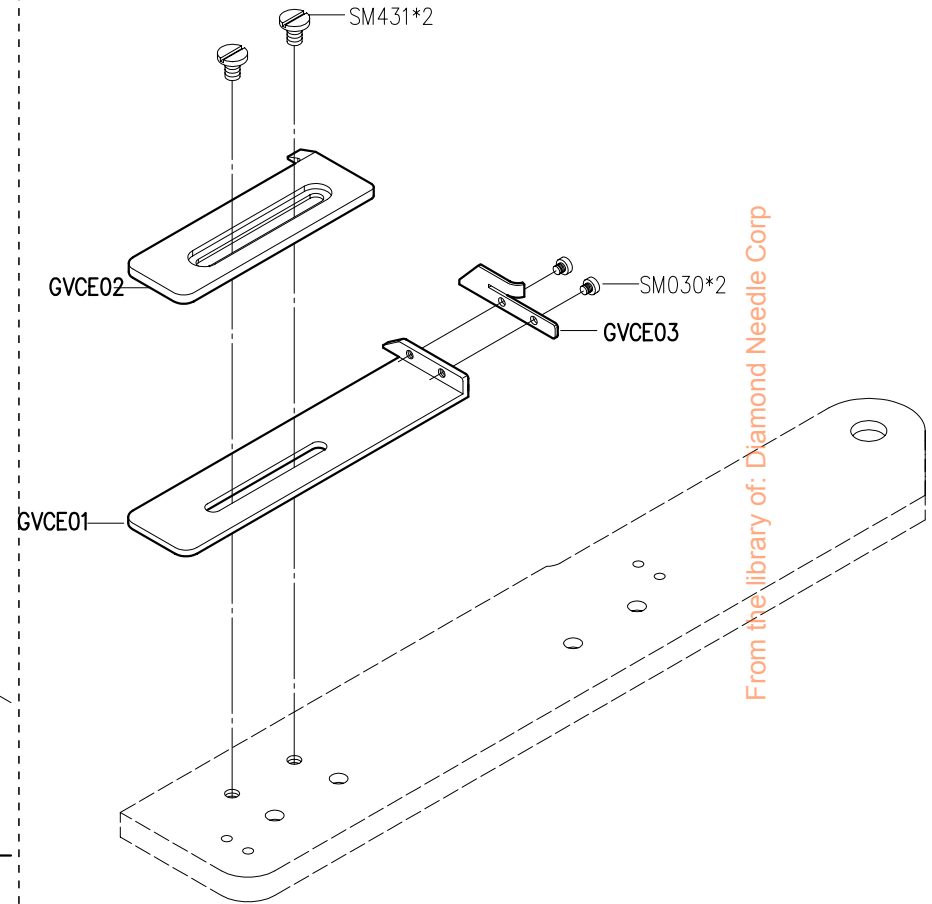
CE



高林股份有限公司
KAULIN MFG. CO., LTD.

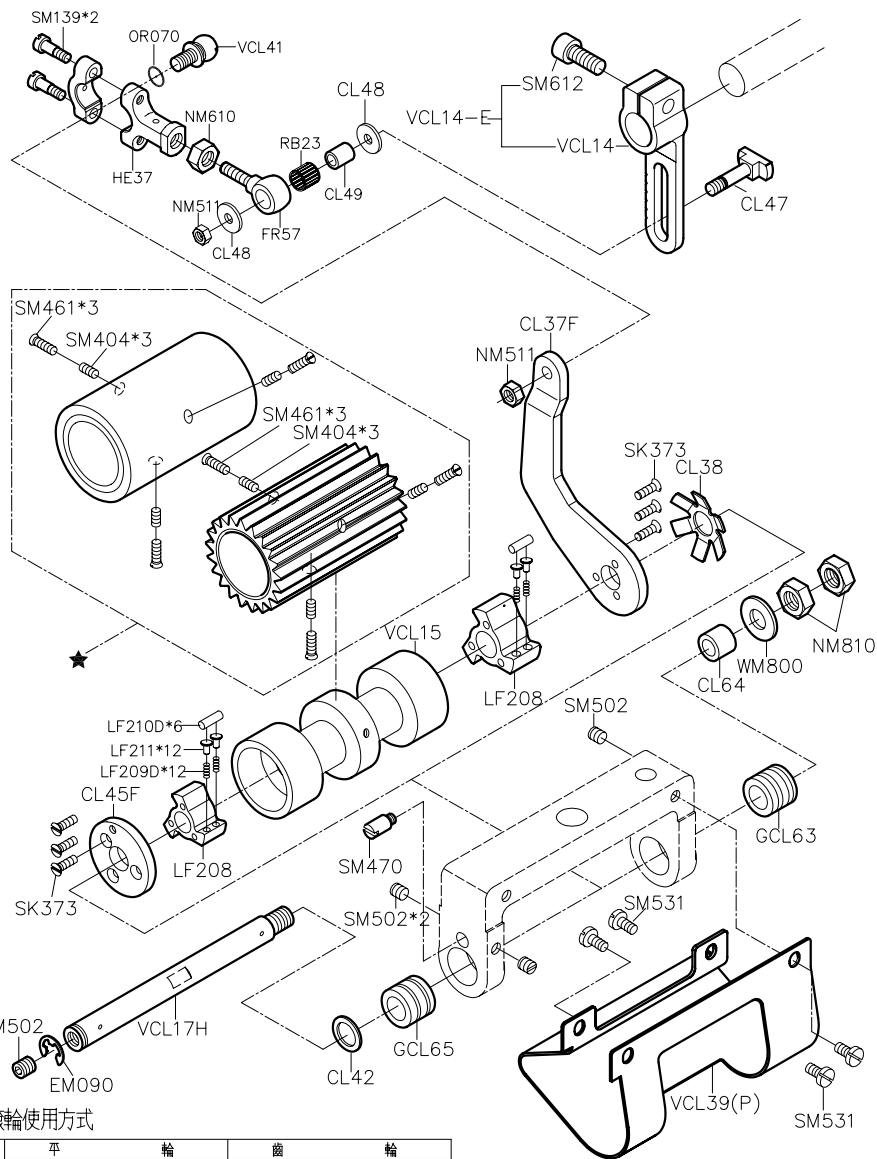


PARTS LIST FOR VAD GROUP



PARTS LIST FOR VCE GROUP

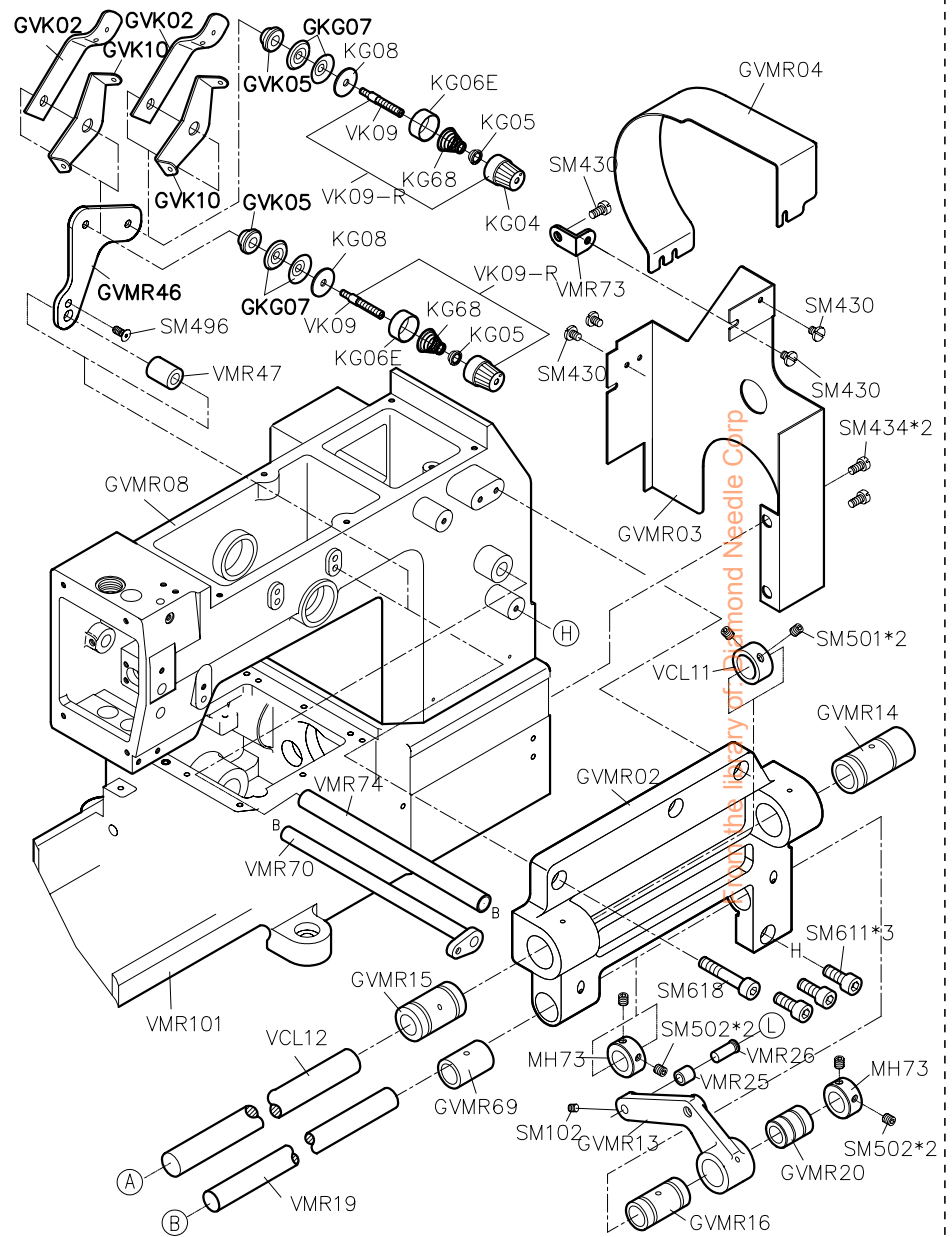
From the library of: Diamond Needle Corp



★ 轉輪使用方式

齒形	平 輪				齒 輪			
材質	PU		黑色橡膠		鐵 弗 龍		鐵	
長度	短輪	長輪	短輪	長輪	短輪	長輪	短輪	長輪
代號	VCL16	VCL16P	VCL16Q	VCL16R	VCL08 (22T)	VCL08P (22T)	VCL08Q (22T)	VCL08N (22T)
上滾輪					VCL37 (27T)	VCL37P (27T)		
下滾輪		VCL28		VCL28R		VCL33 (14T)		VCL33N (16T)

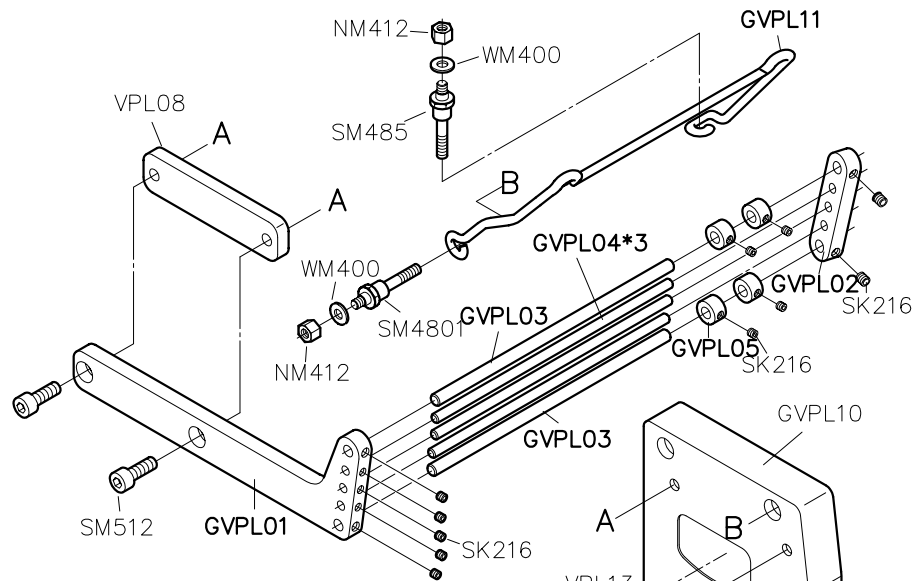
PARTS LIST FOR VCL-H (3) GROUP



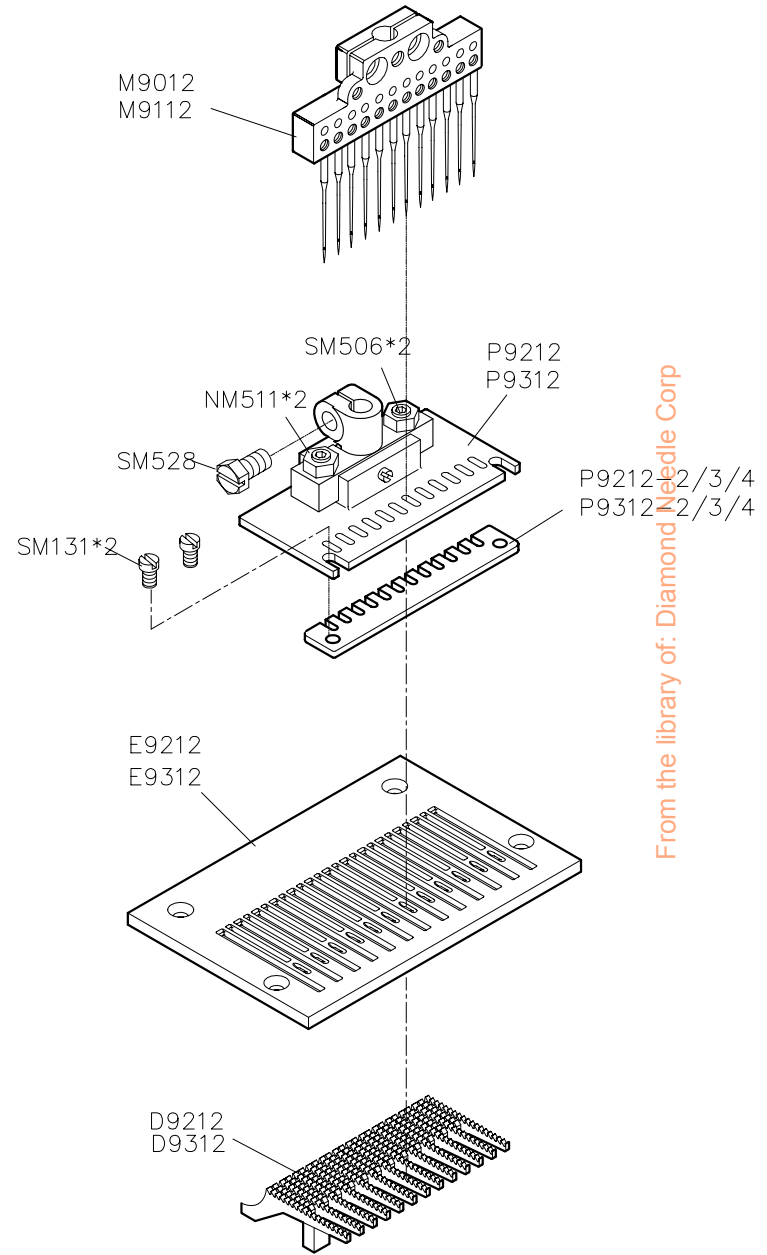
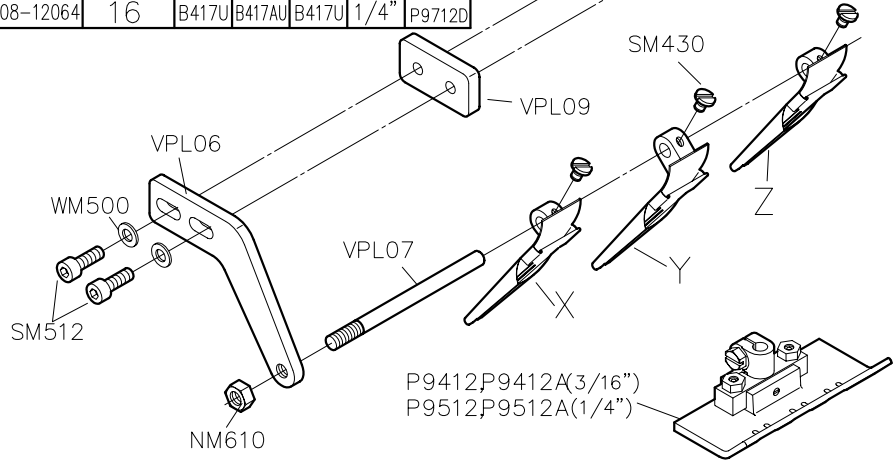
PARTS LIST FOR VMR (1) GROUP

PARTS LIST FOR VPL GROUP

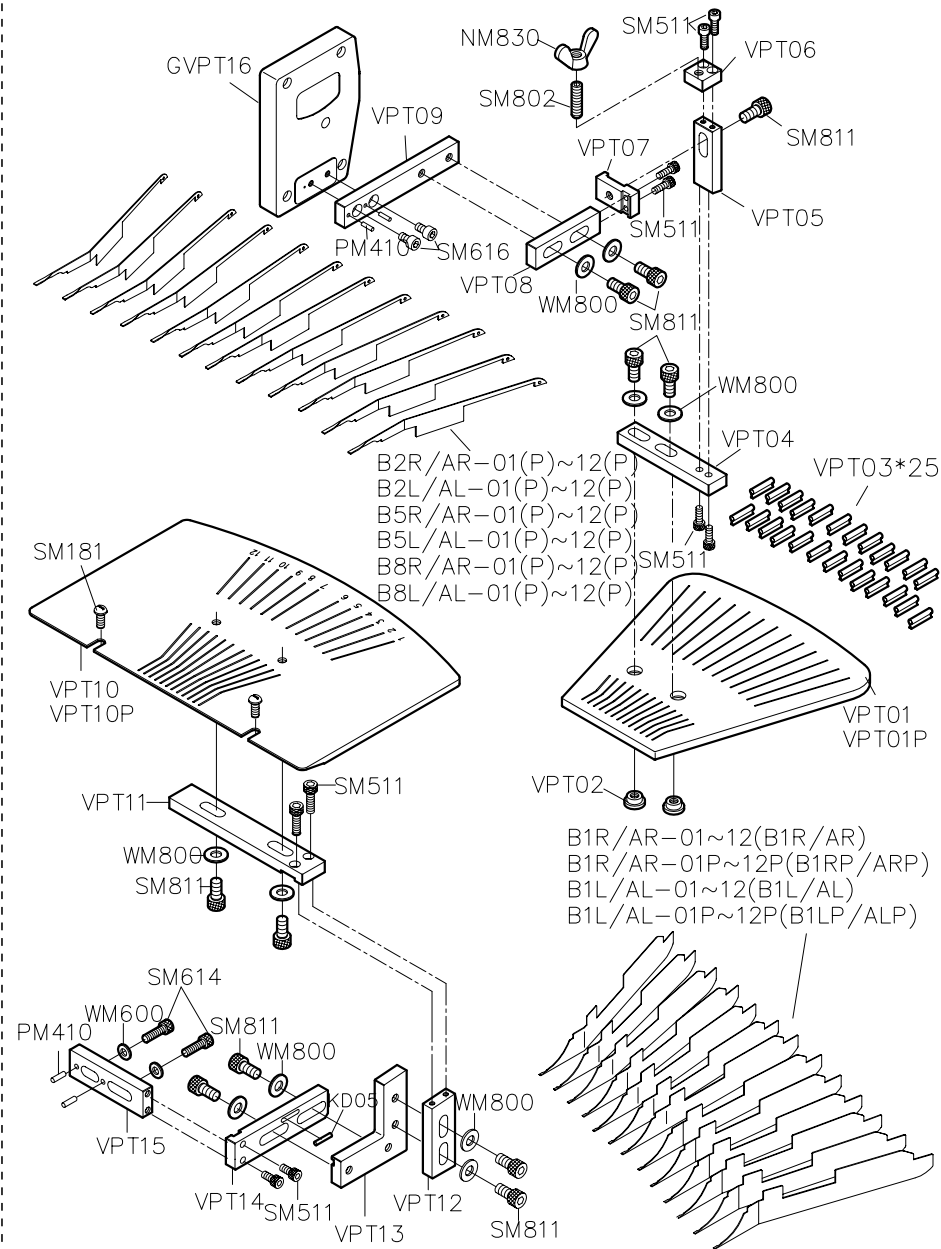
PARTS LIST FOR VPQ GROUP



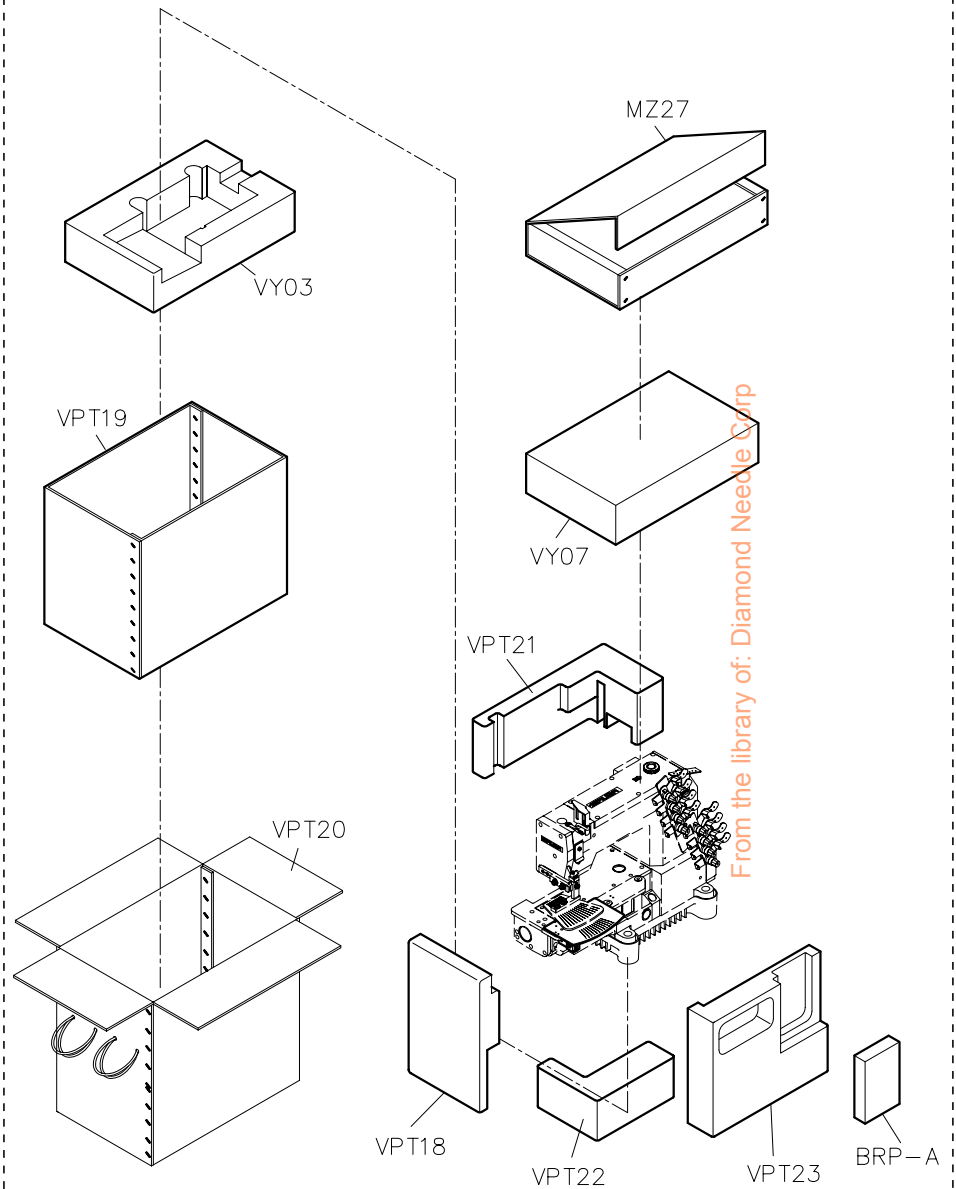
機型	完成尺寸	X	Y	Z	針	具
VC008-06048	8	B417P	B417AP	B417P	3/16"	P9412DA
	9	B417Q	B417AQ	B417Q		P9412D
VC008-06064	10	B417R	B417AR	B417R	1/4"	P9512DA
	12	B417S	B417AS	B417S		P9512D
VC008-12064	16	B417U	B417AU	B417U	1/2"	P9512B
	16	B417U	B417AU	B417U		1/4"



From the library of: Diamond Needle Corp



PARTS LIST FOR VPT (1) GROUP



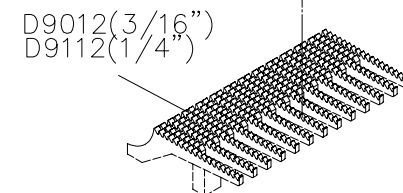
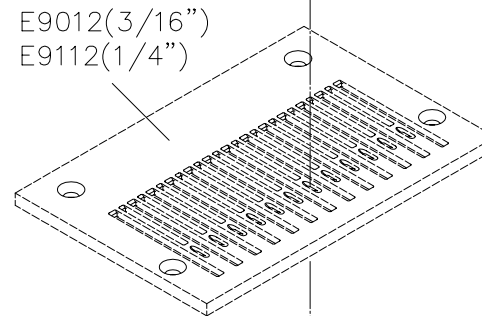
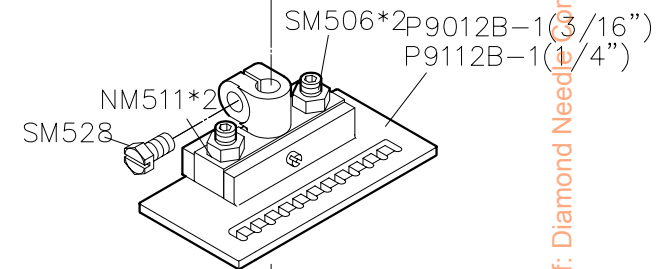
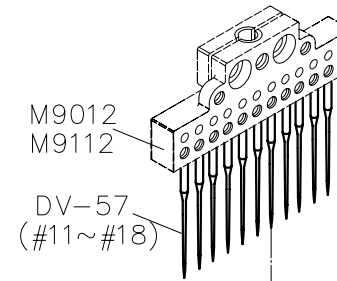
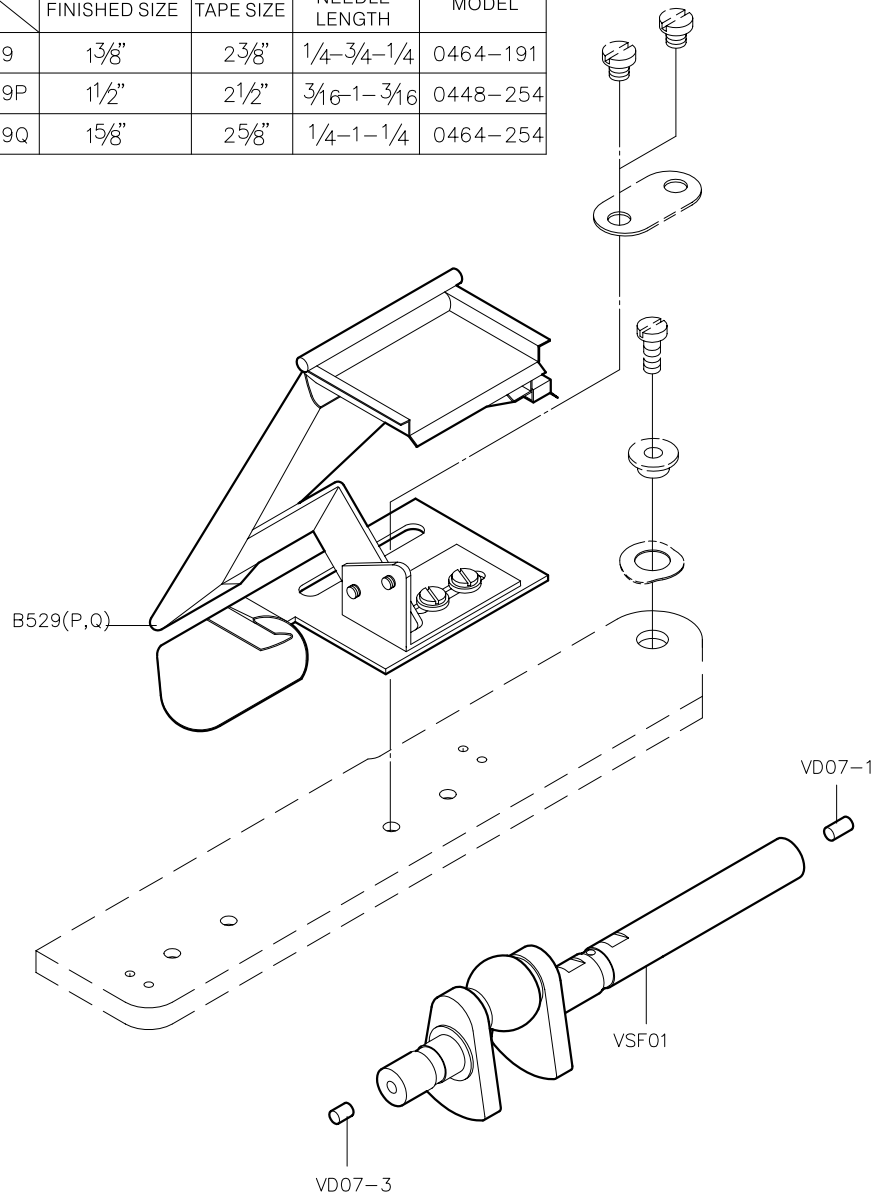
PARTS LIST FOR VPT (2) GROUP

From the library of: Diamond Needle Corp

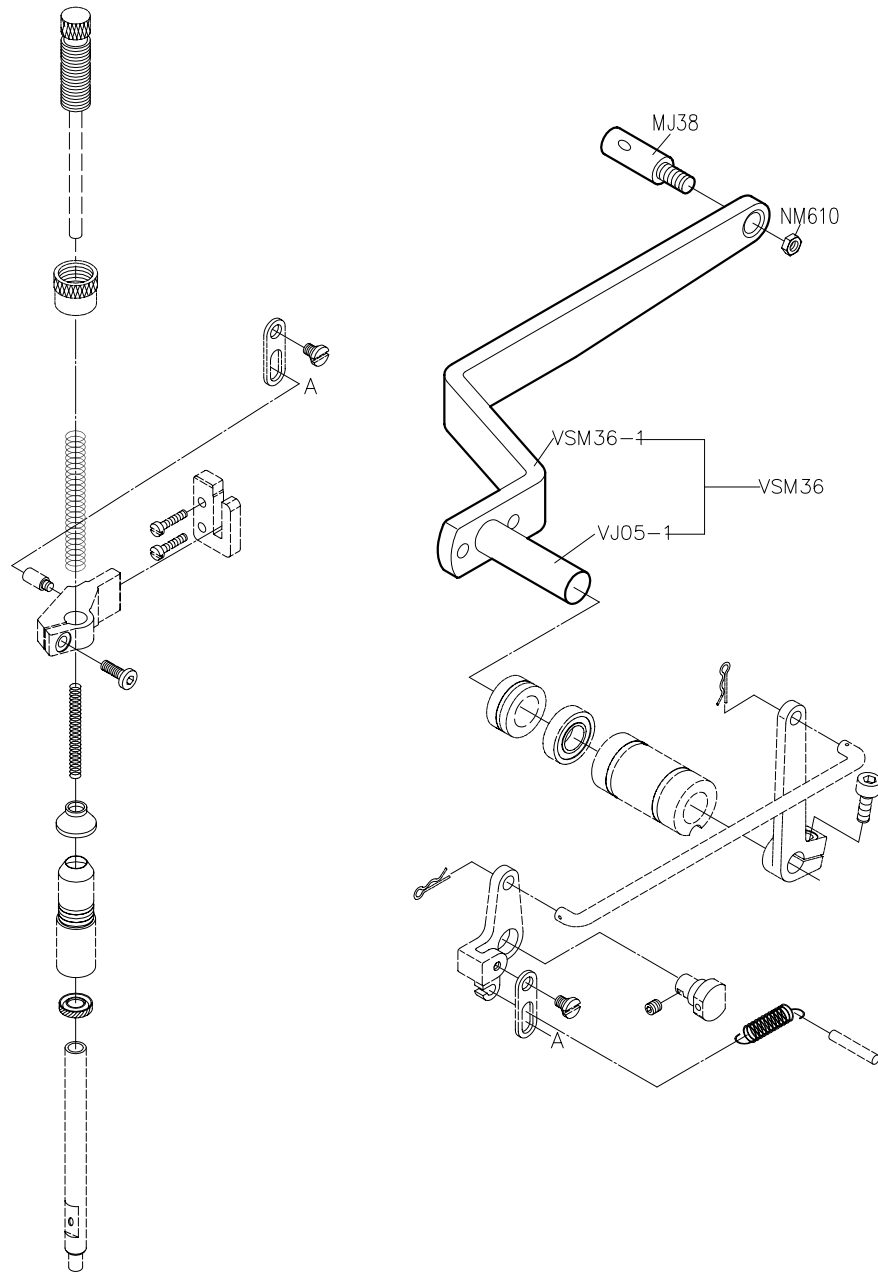
PARTS LIST FOR VSF GROUP

PARTS LIST FOR VSM GROUP

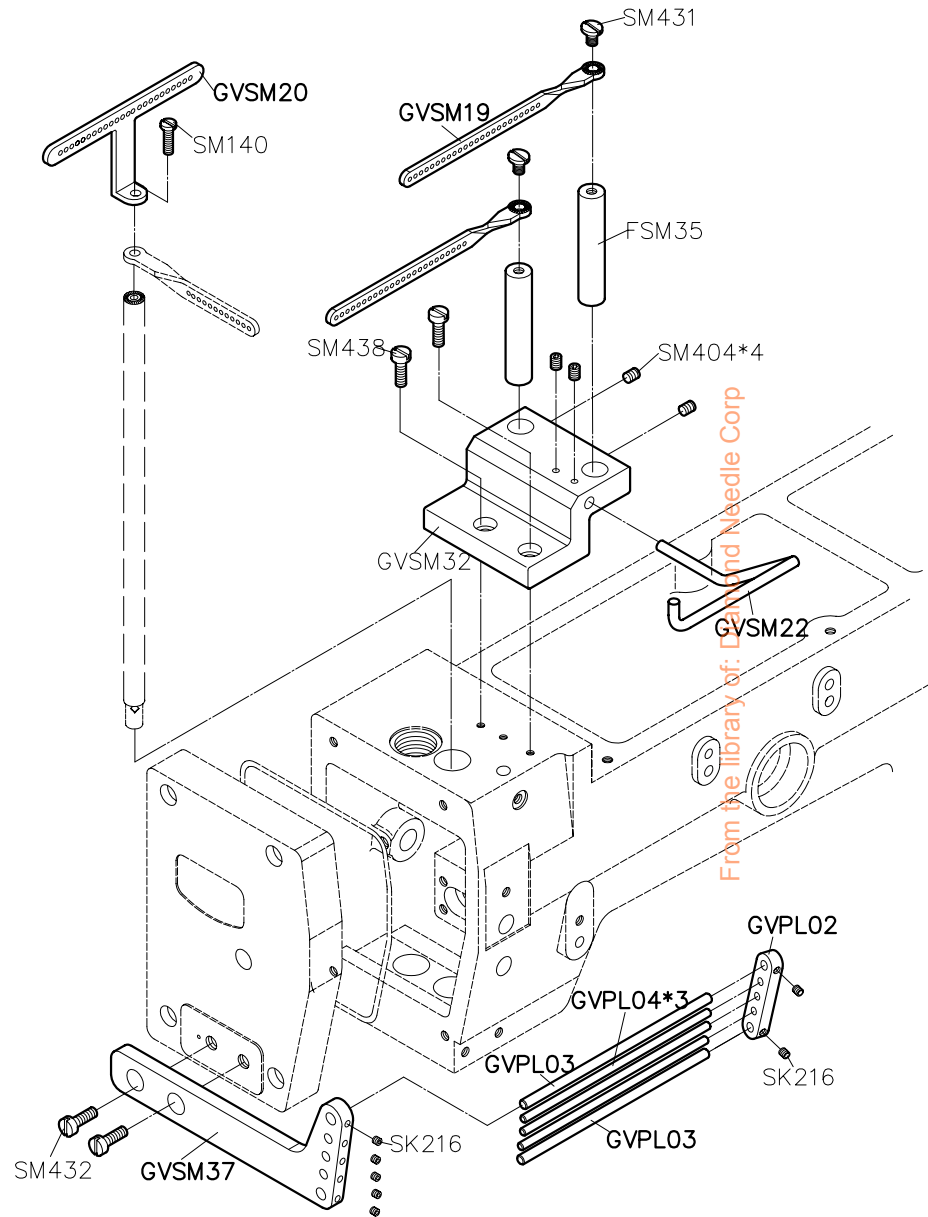
規格	成品 FINISHED SIZE	入布尺寸 TAPE SIZE	針距 NEEDLE LENGTH	機種 MODEL
B529	1 $\frac{3}{8}$ "	2 $\frac{3}{8}$ "	1/4-3/4-1/4	0464-191
B529P	1 $\frac{1}{2}$ "	2 $\frac{1}{2}$ "	3/16-1-3/16	0448-254
B529Q	1 $\frac{5}{8}$ "	2 $\frac{5}{8}$ "	1/4-1-1/4	0464-254



From the library of: Diamond Needle Corp



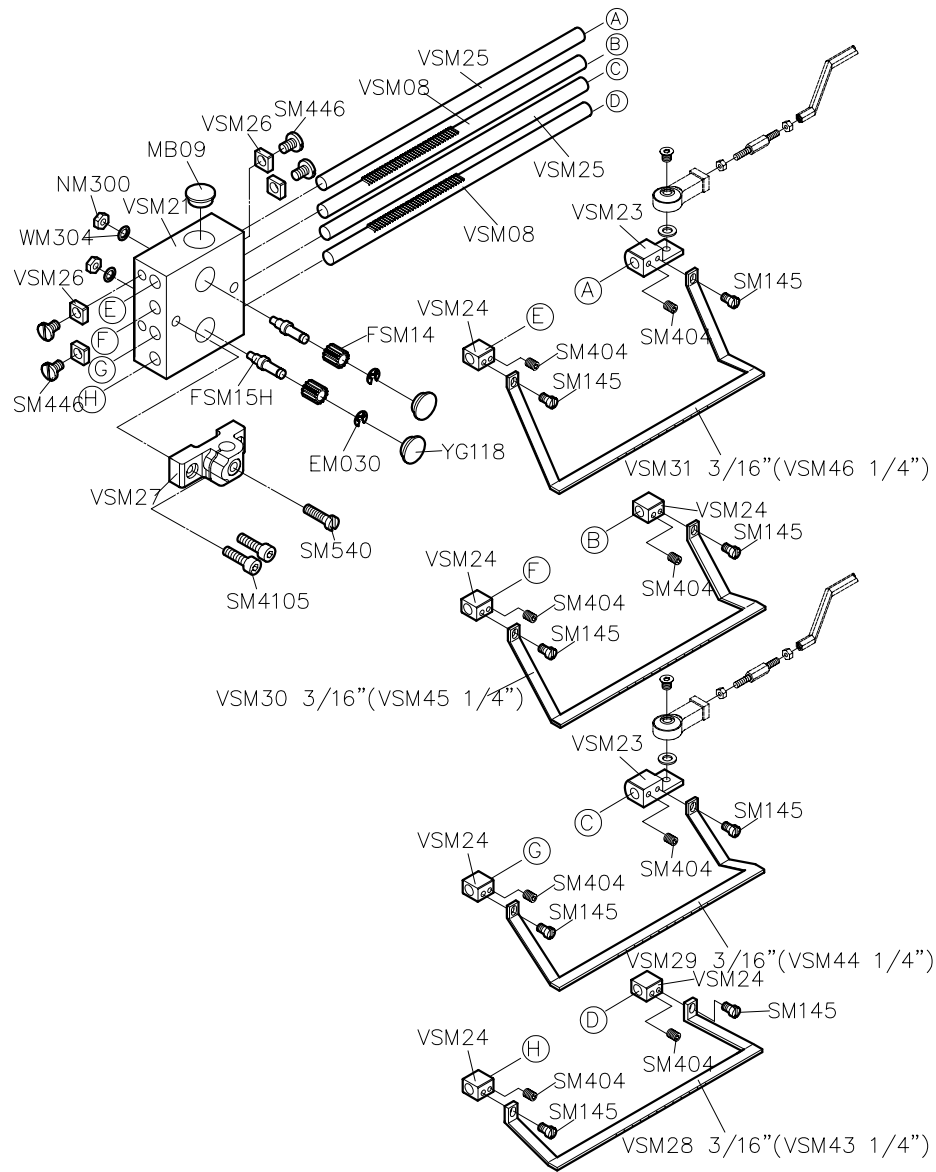
PARTS LIST FOR VSM/VSQ (1) GROUP



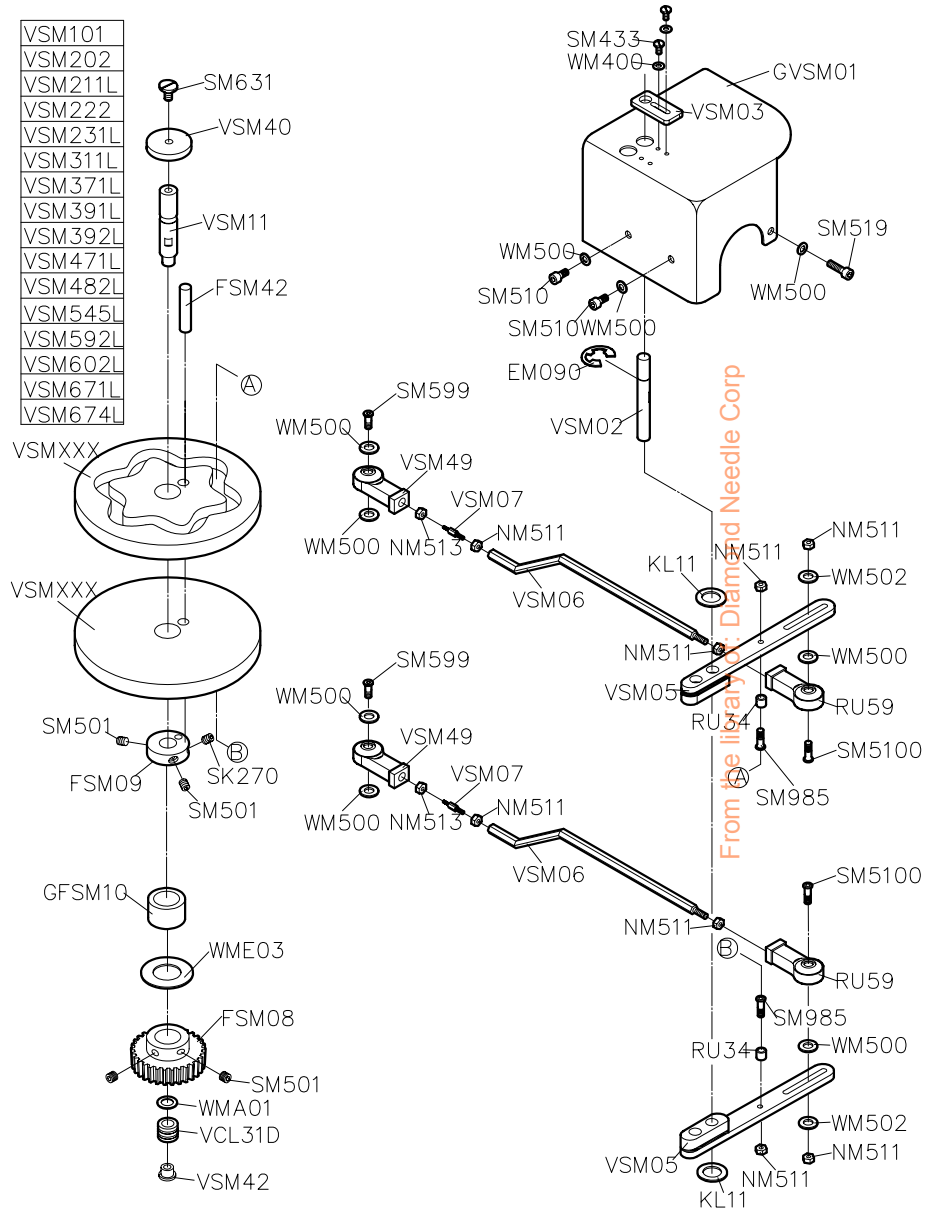
PARTS LIST FOR VSM/VSQ (2) GROUP

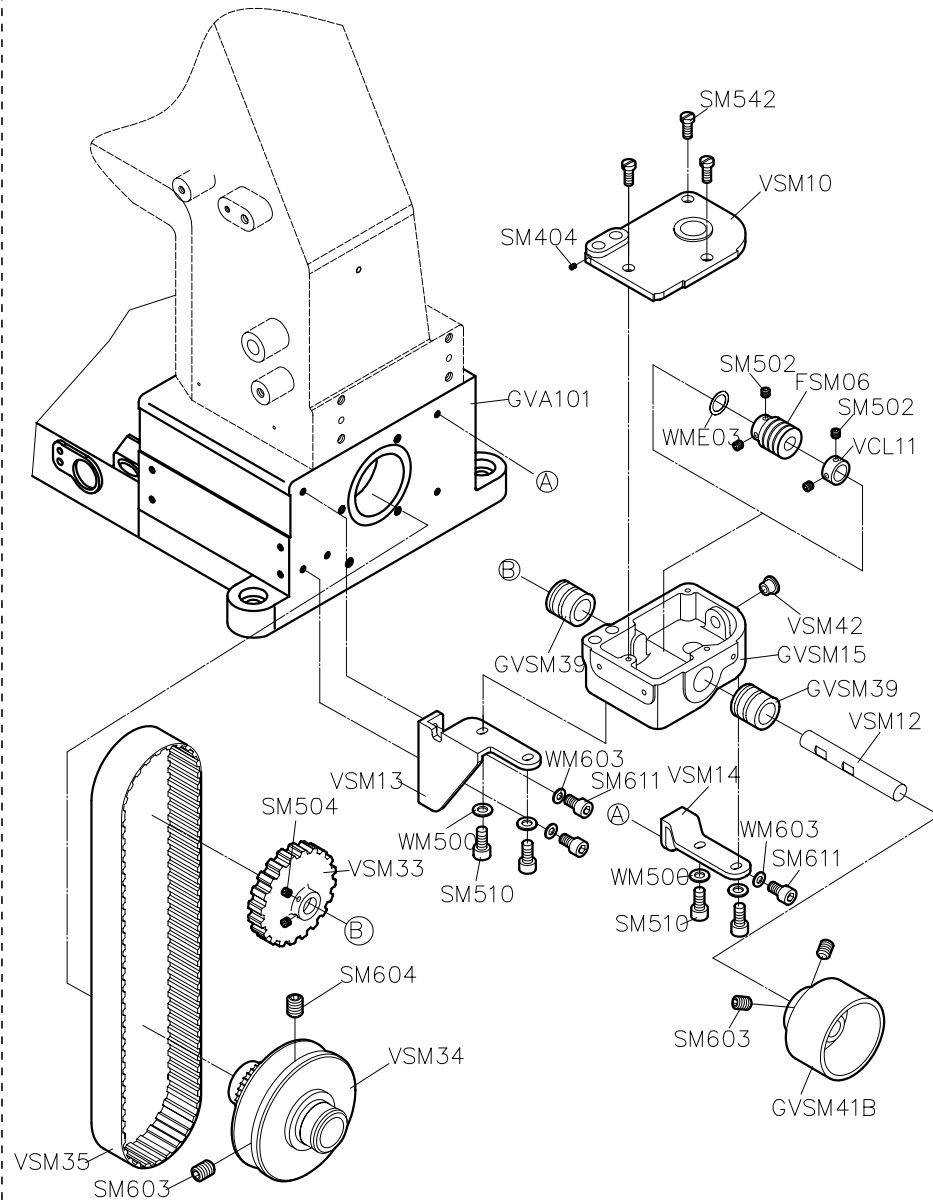
PARTS LIST FOR VSM/VSQ (3) GROUP

PARTS LIST FOR VSM/VSQ (4) GROUP

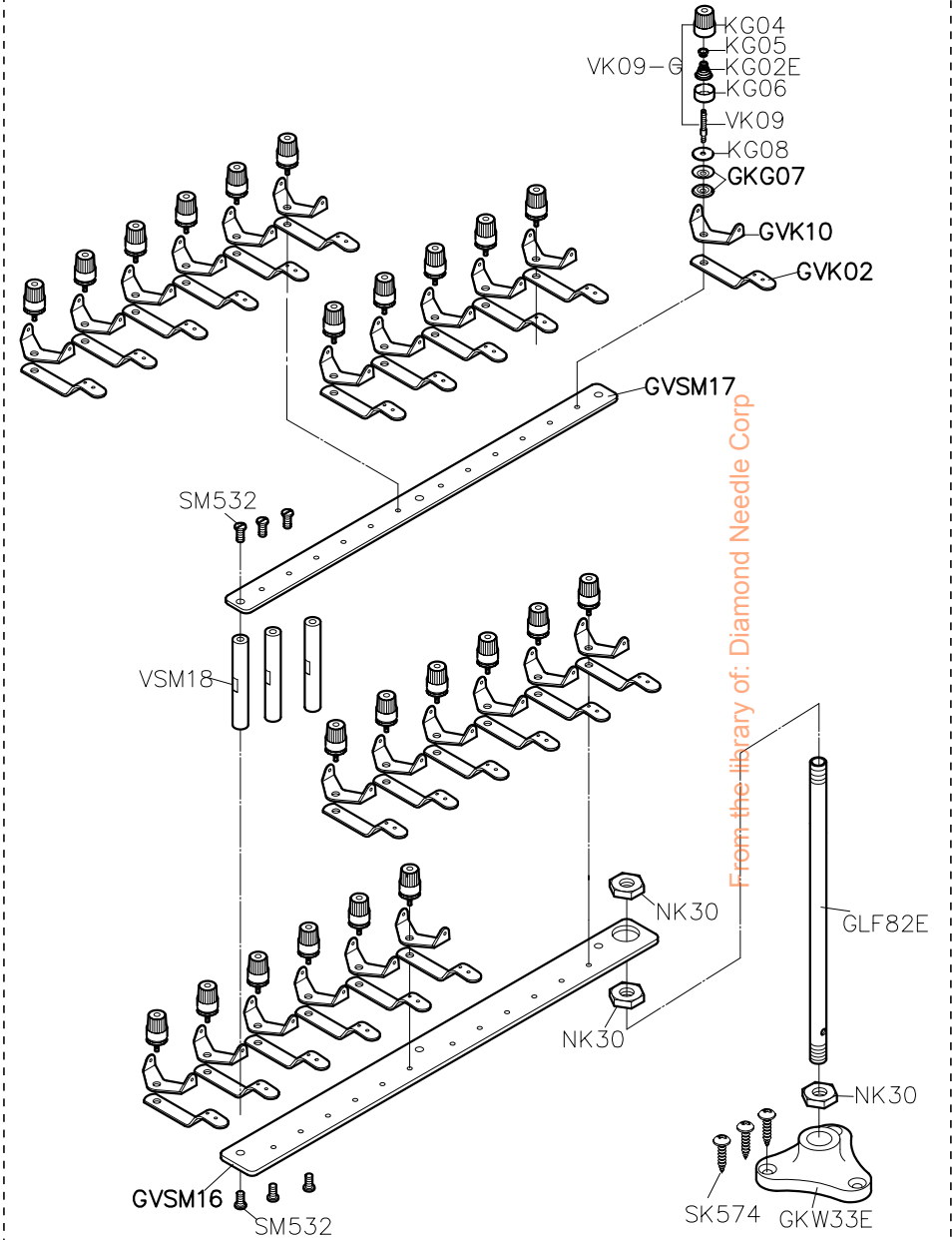


VSM101
VSM202
VSM211L
VSM222
VSM231L
VSM311L
VSM371L
VSM391L
VSM392L
VSM471L
VSM482L
VSM545L
VSM592L
VSM602L
VSM671L
VSM674L





PARTS LIST FOR VSM/VSQ (5) GROUP

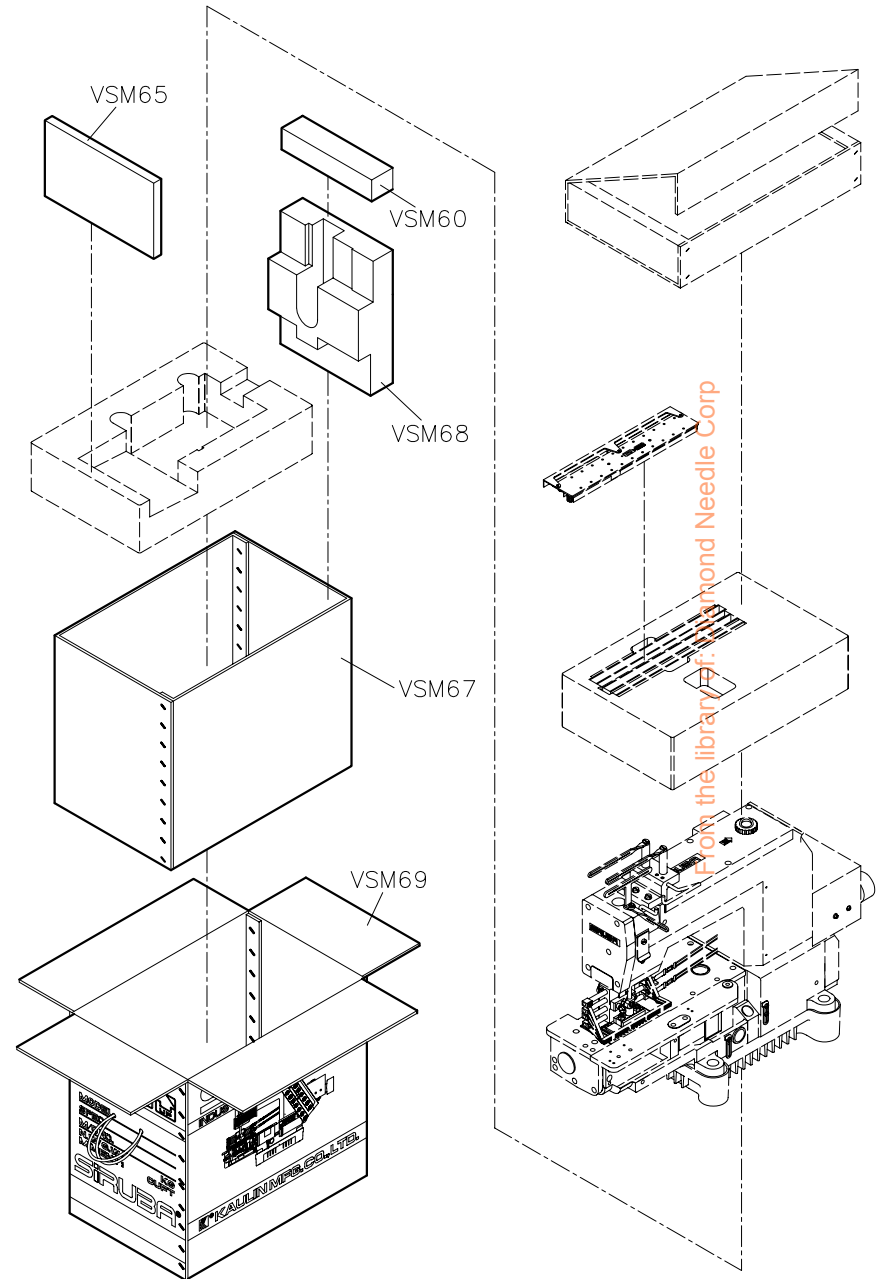
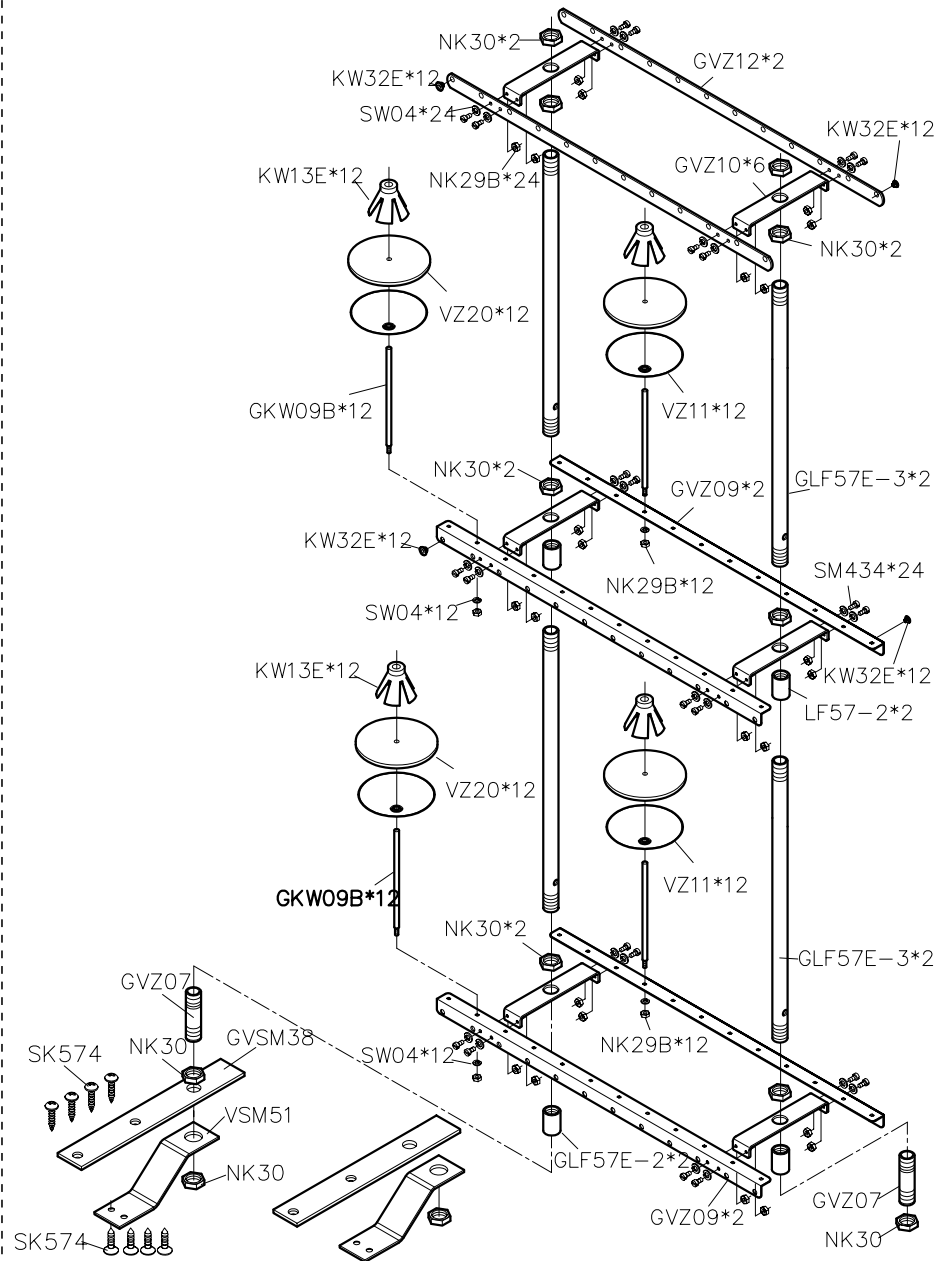


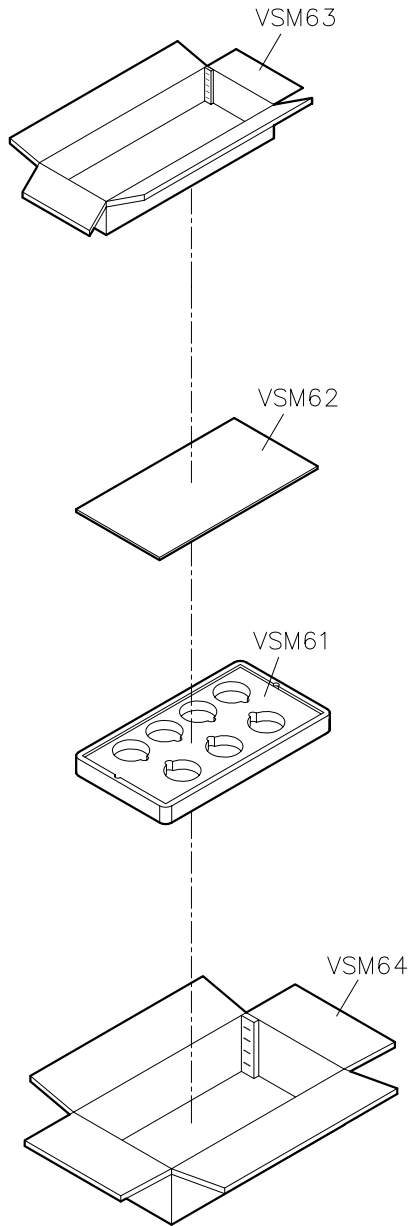
PARTS LIST FOR VSM/VSQ (6) GROUP

From the library of: Diamond Needle Corp

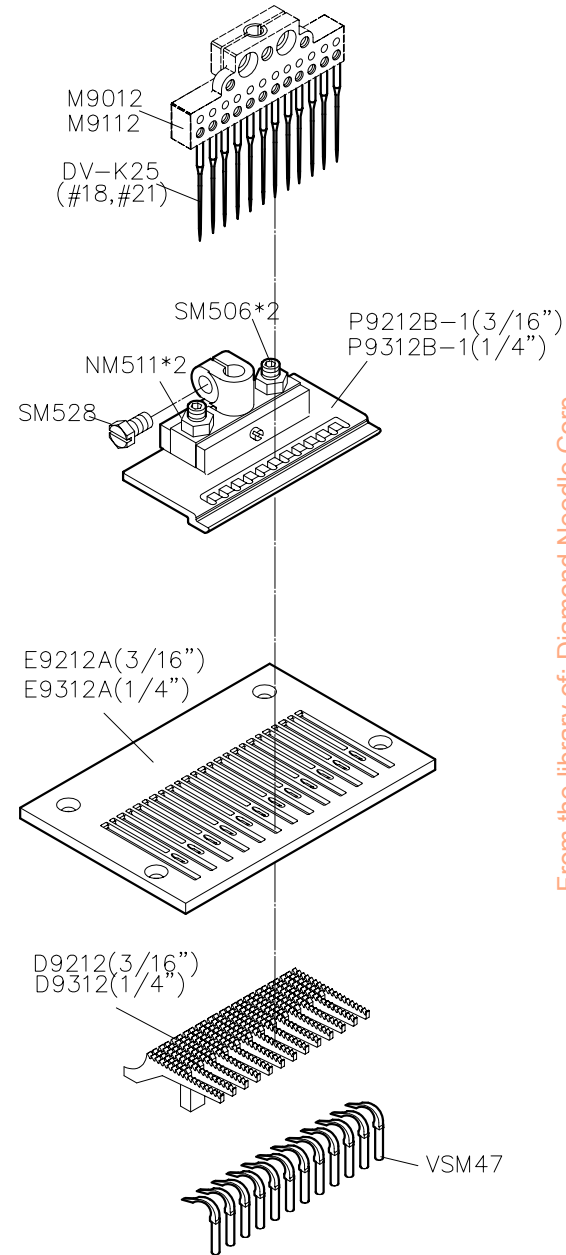
PARTS LIST FOR VSM/VSQ (7) GROUP

PARTS LIST FOR VSM/VSQ (8) GROUP





PARTS LIST FOR VSM/VSQ (9) GROUP

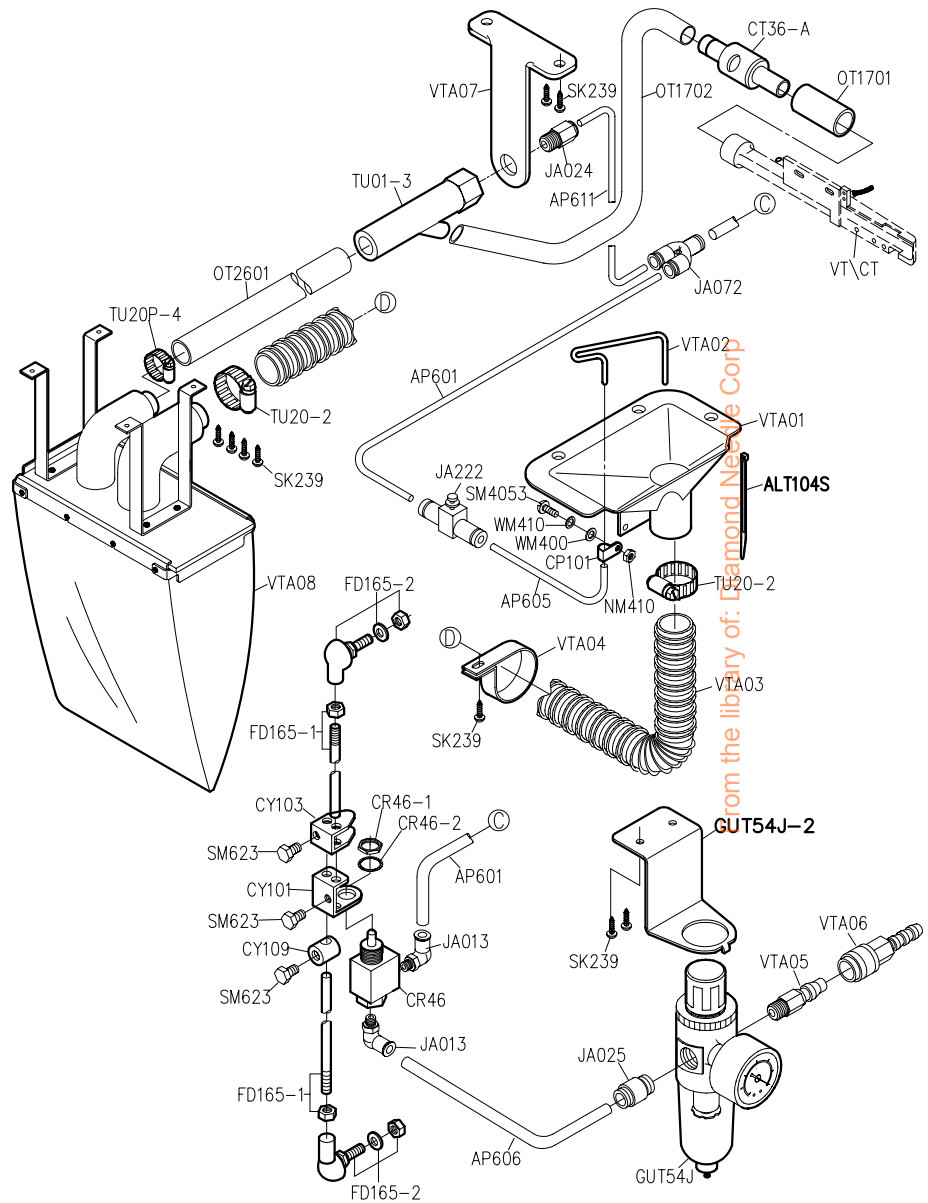
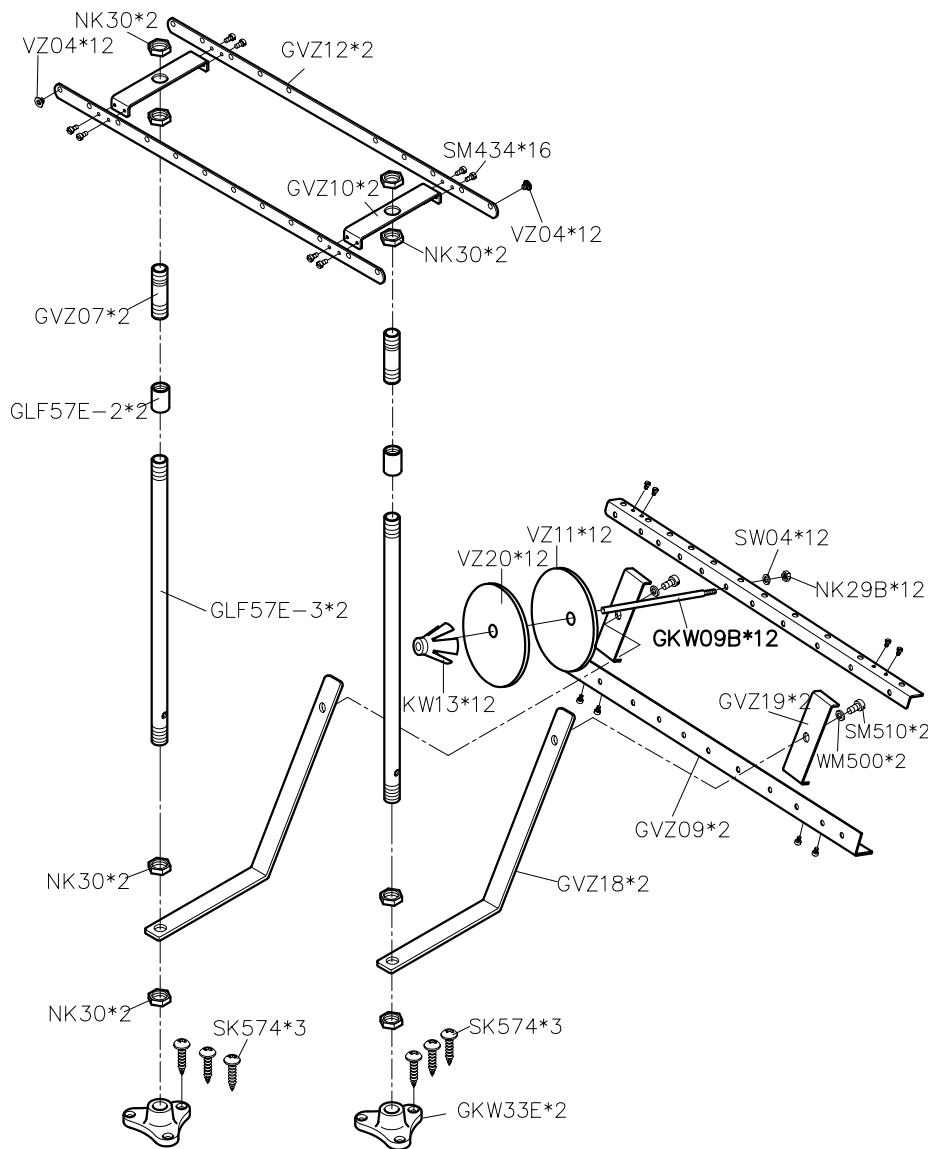


From the library of: Diamond Needle Corp

PARTS LIST FOR VSQ (1) GROUP

PARTS LIST FOR VSQ (2) GROUP

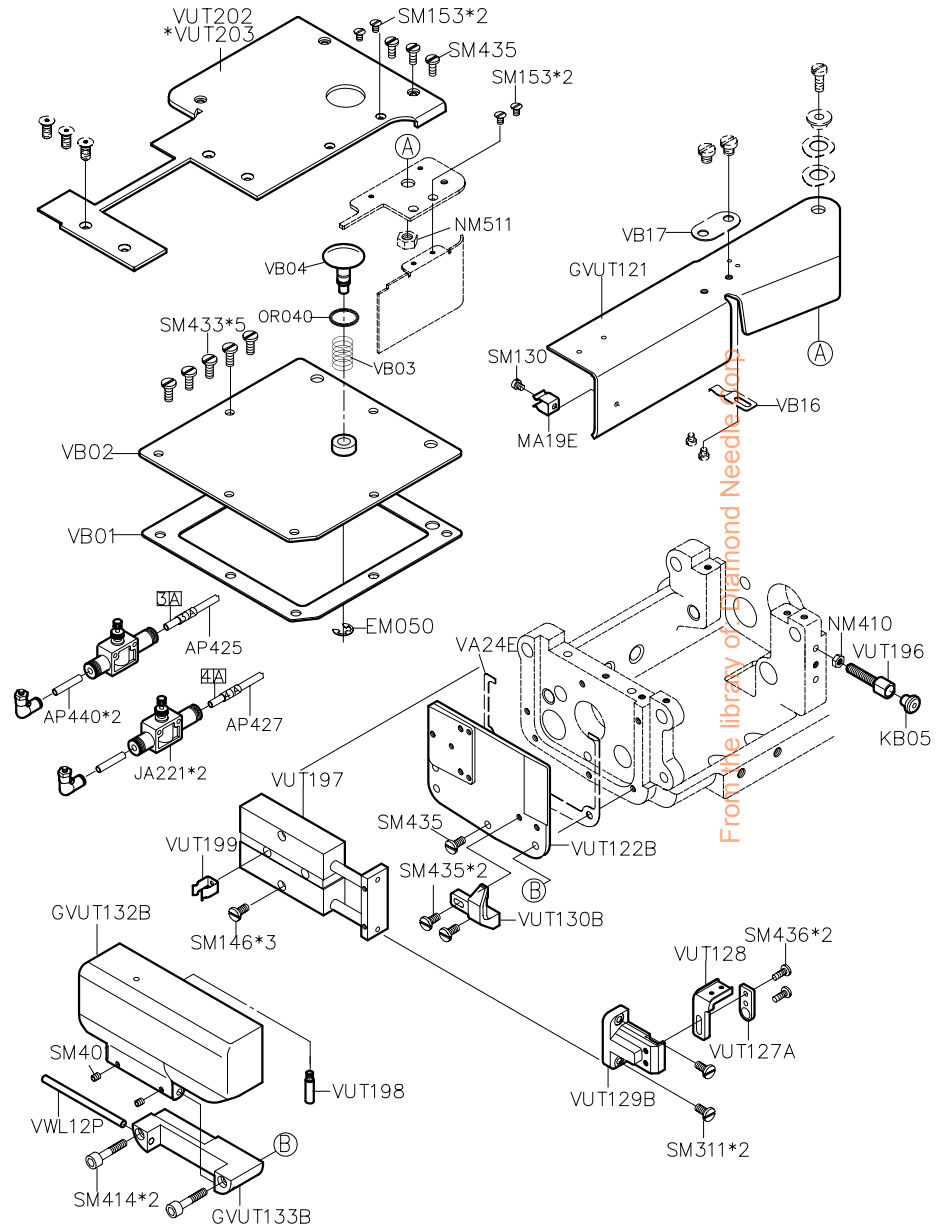
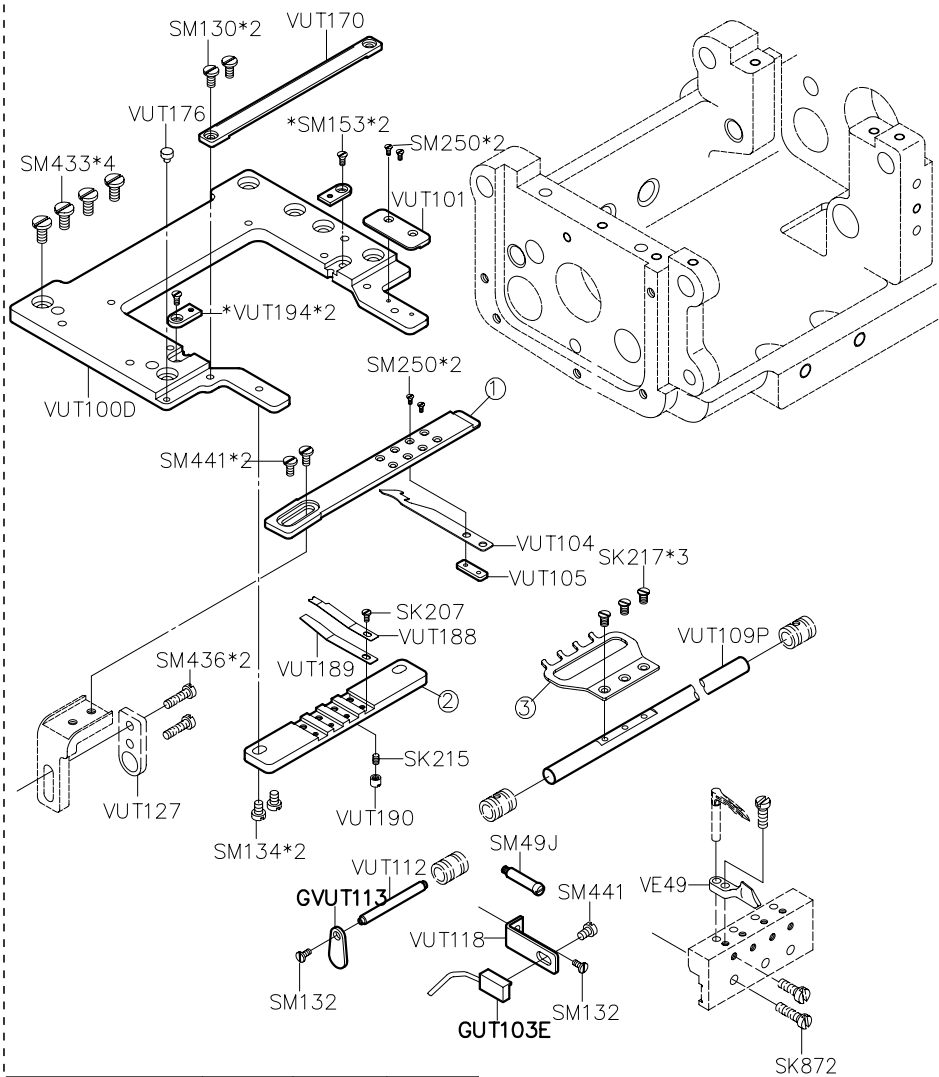
PARTS LIST FOR VTA GROUP



from the library of: Diamond Needle Corp

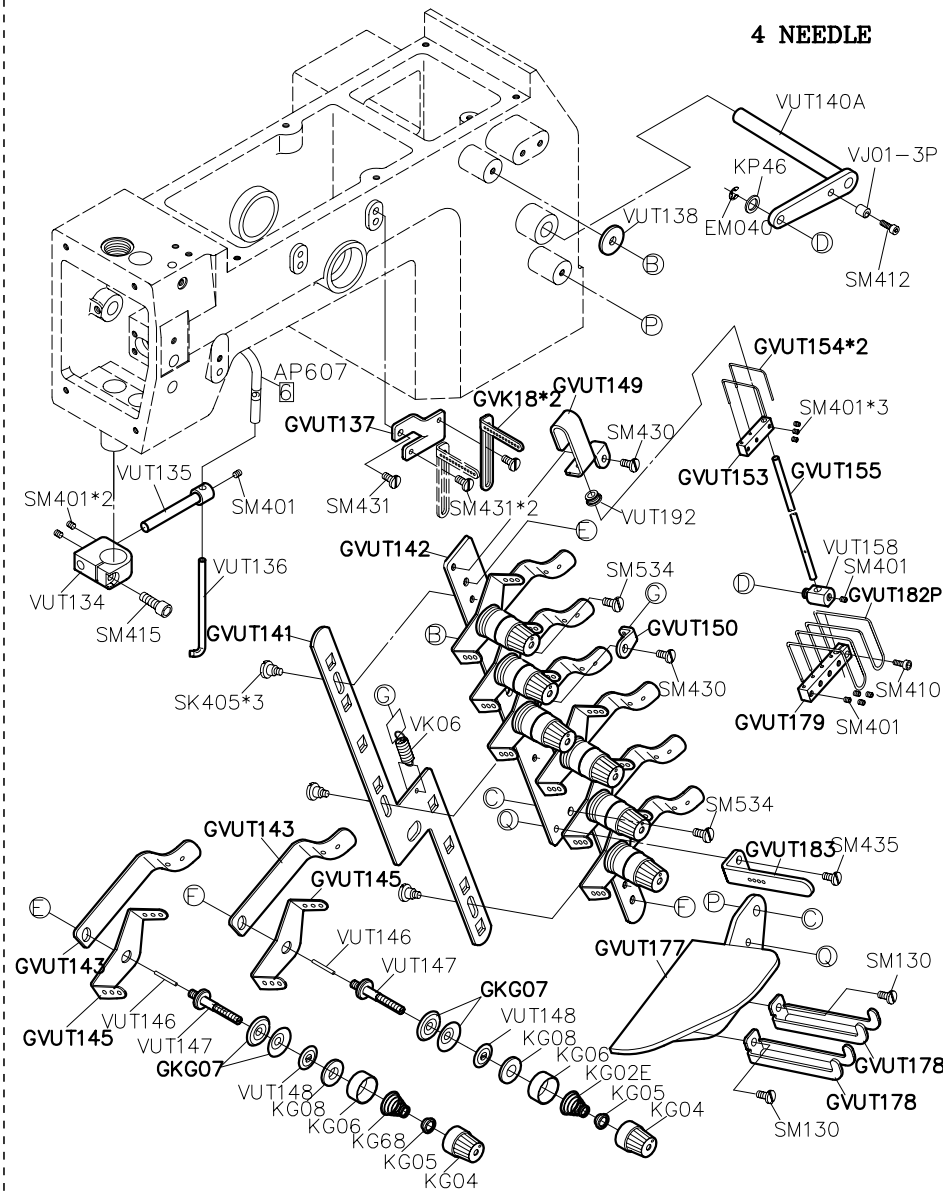
PARTS LIST FOR VUT (3) GROUP

PARTS LIST FOR VUT (4) GROUP

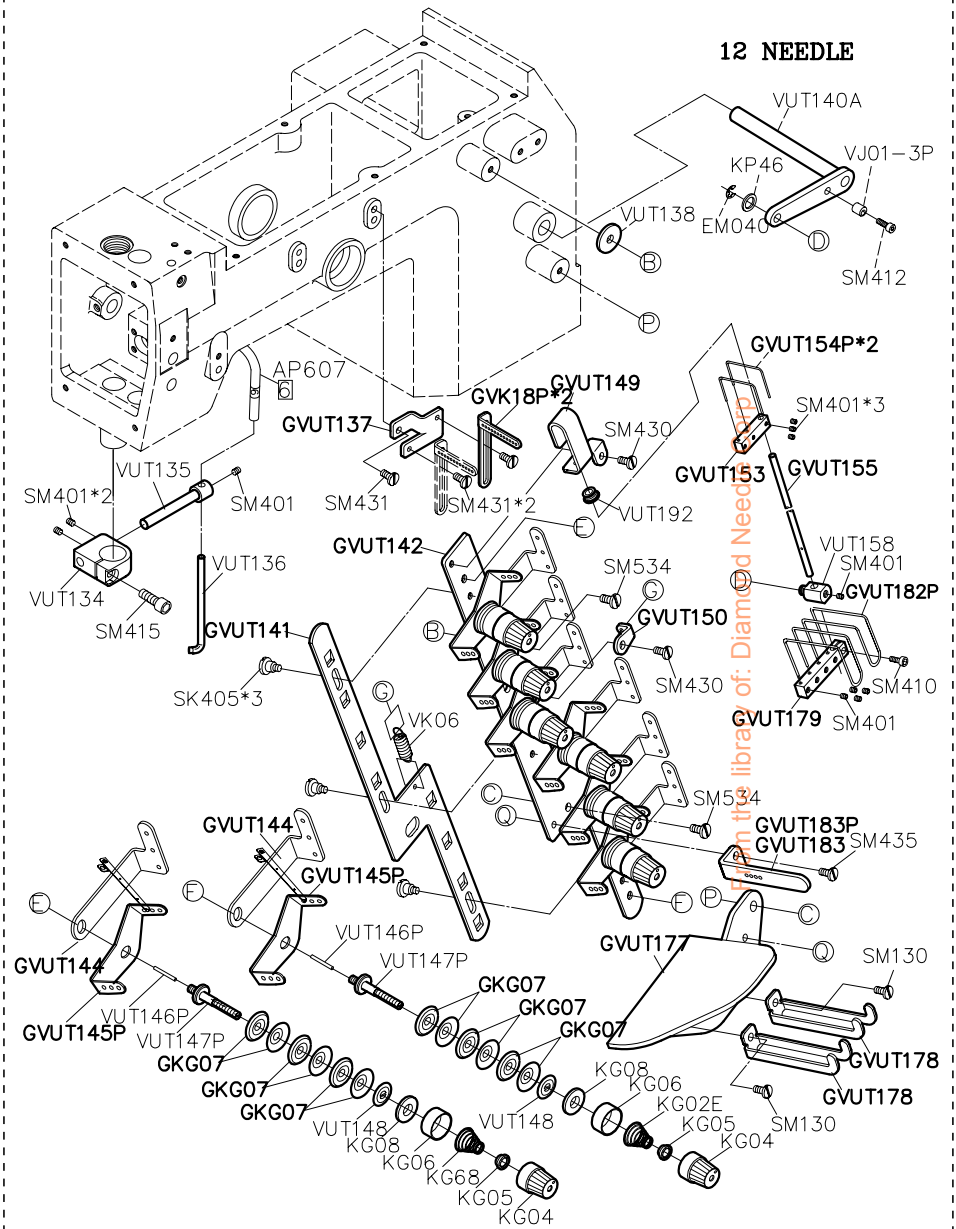


機 型 規 格	①	②	③	
VC008-04	064	VUT184P	VUT187P	VUT108P
	085	VUT184Q	VUT187Q	VUT108Q
	095	VUT184P	VUT187R	VUT108R
	106	VUT184S	VUT187S	VUT108S
	127	VUT184T	VUT187T	VUT108T
VC008-06	064	VUT184V	VUT187V	VUT108V
VC008-12	050	VUT184U	VUT187U	VUT108U

From the library of Diamond Needle Co., Ltd.

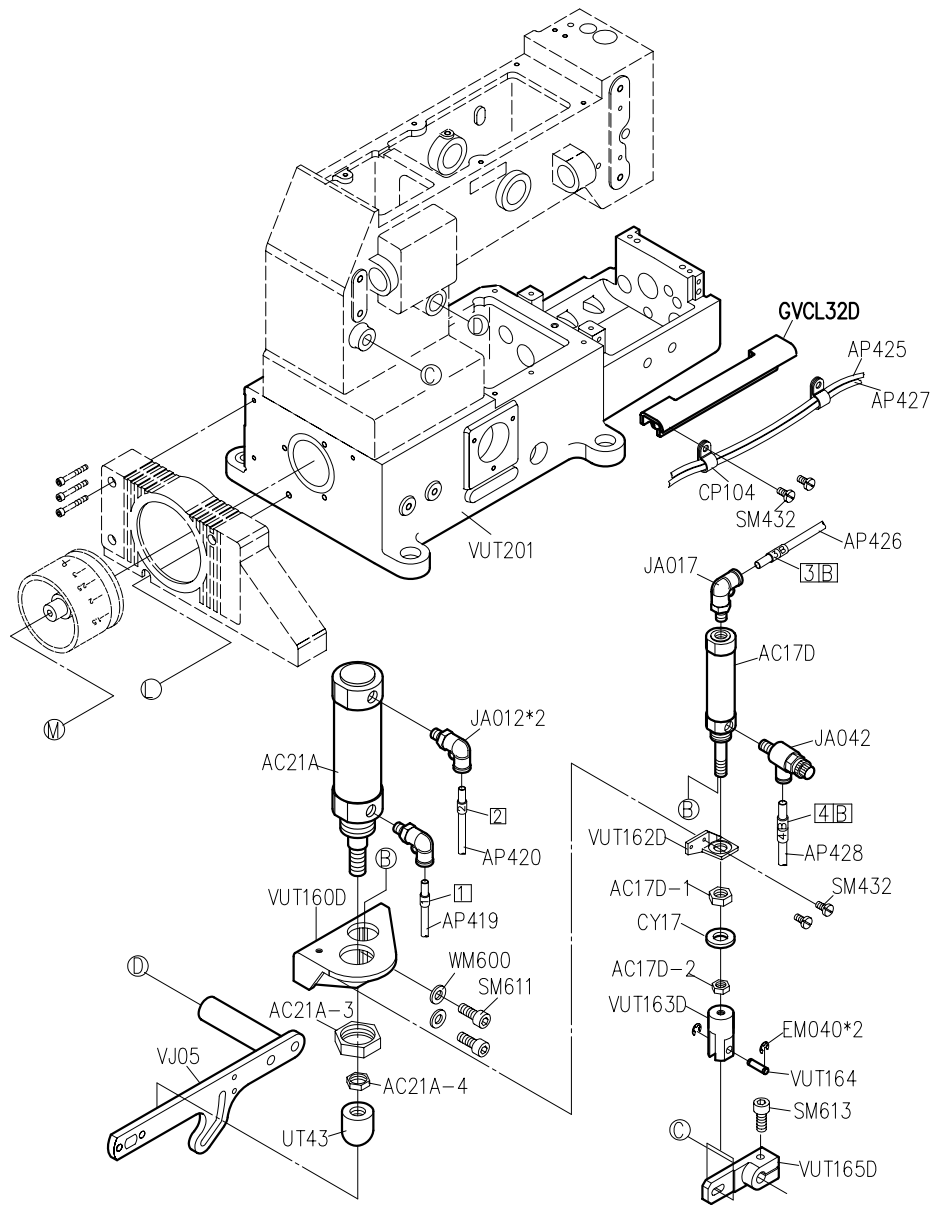


PARTS LIST FOR VUT (5) GROUP

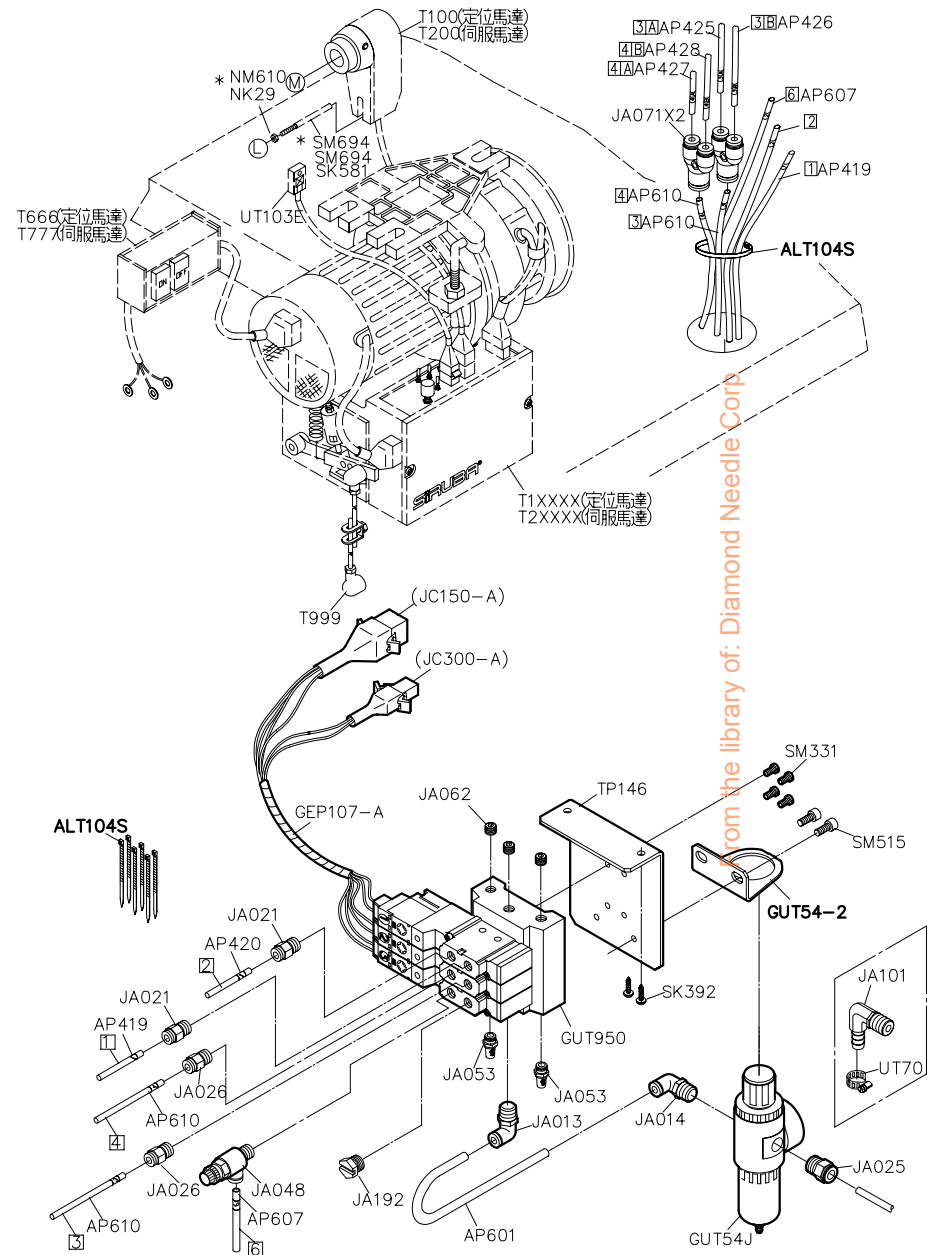


PARTS LIST FOR VUT (6) GROUP

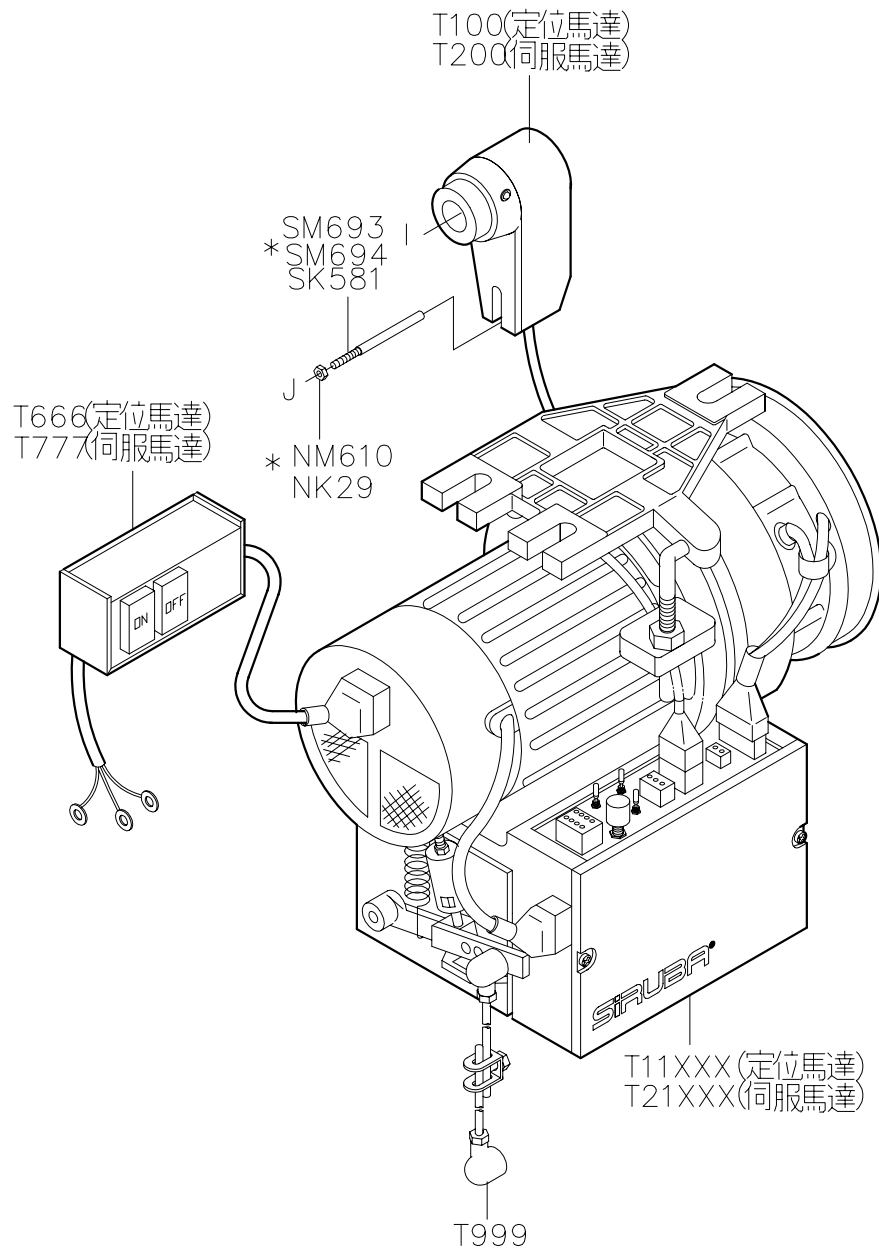
PARTS LIST FOR VUT (7) GROUP



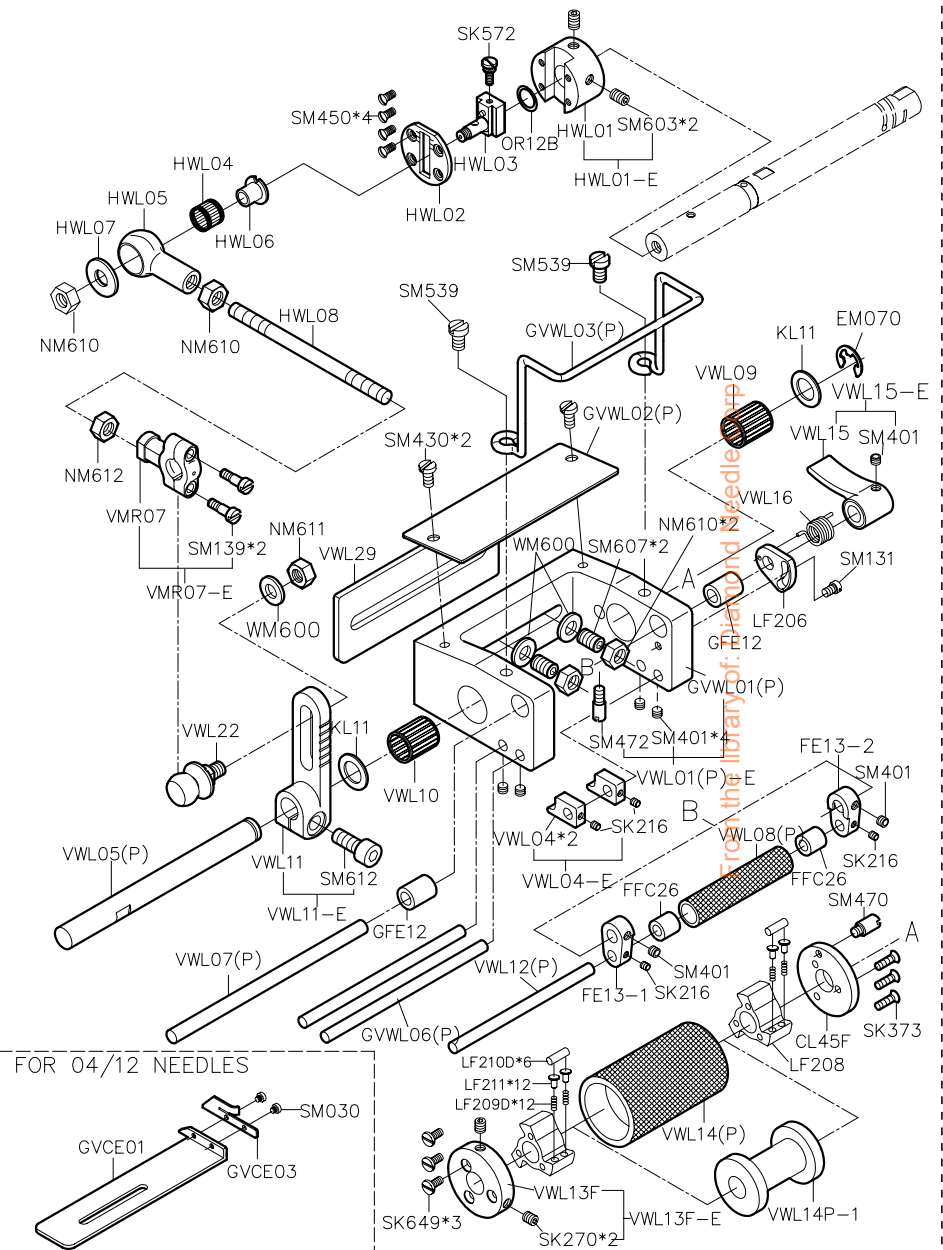
PARTS LIST FOR VUT (8) GROUP



From the library of: Diamond Needle Corp



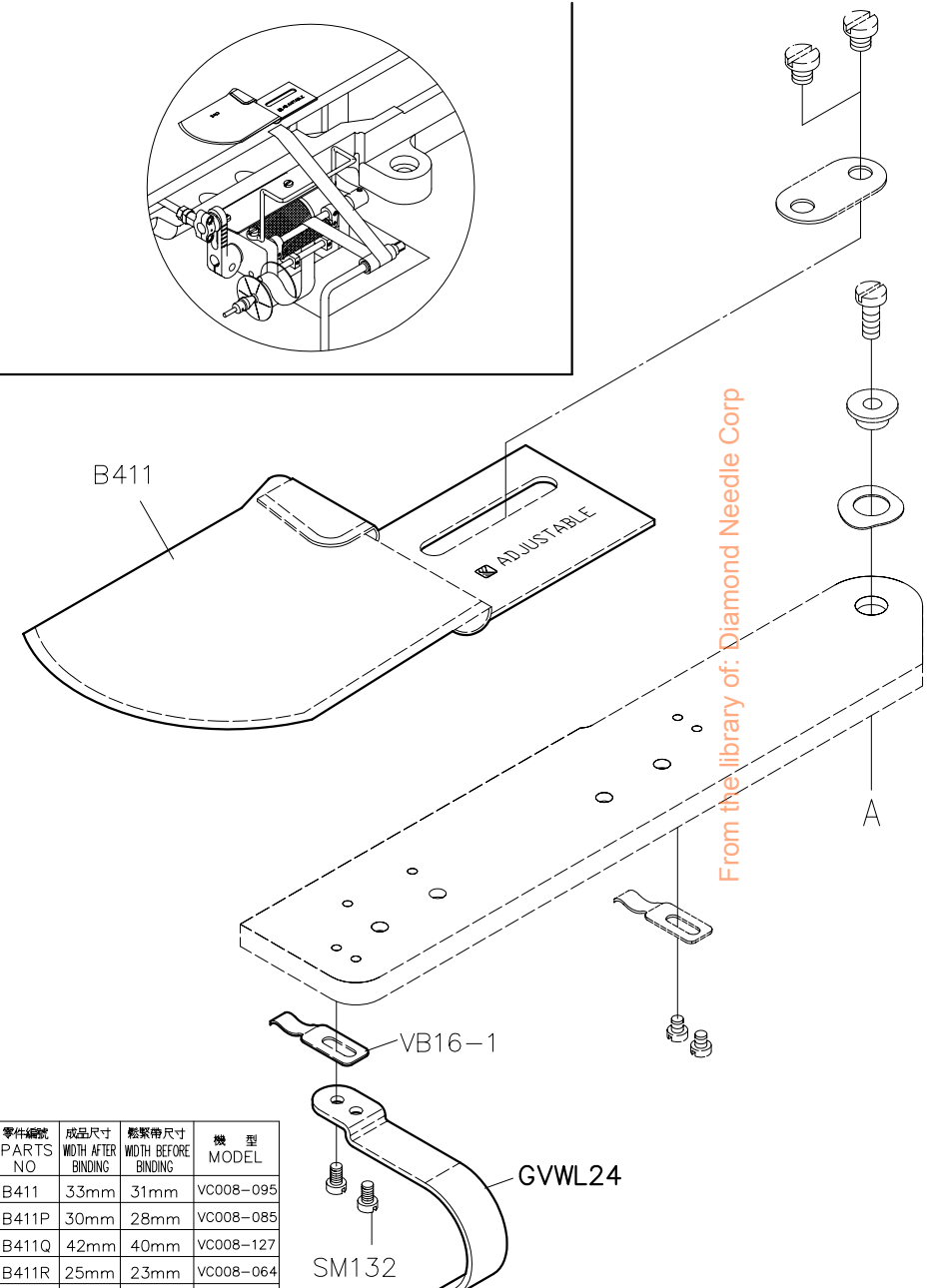
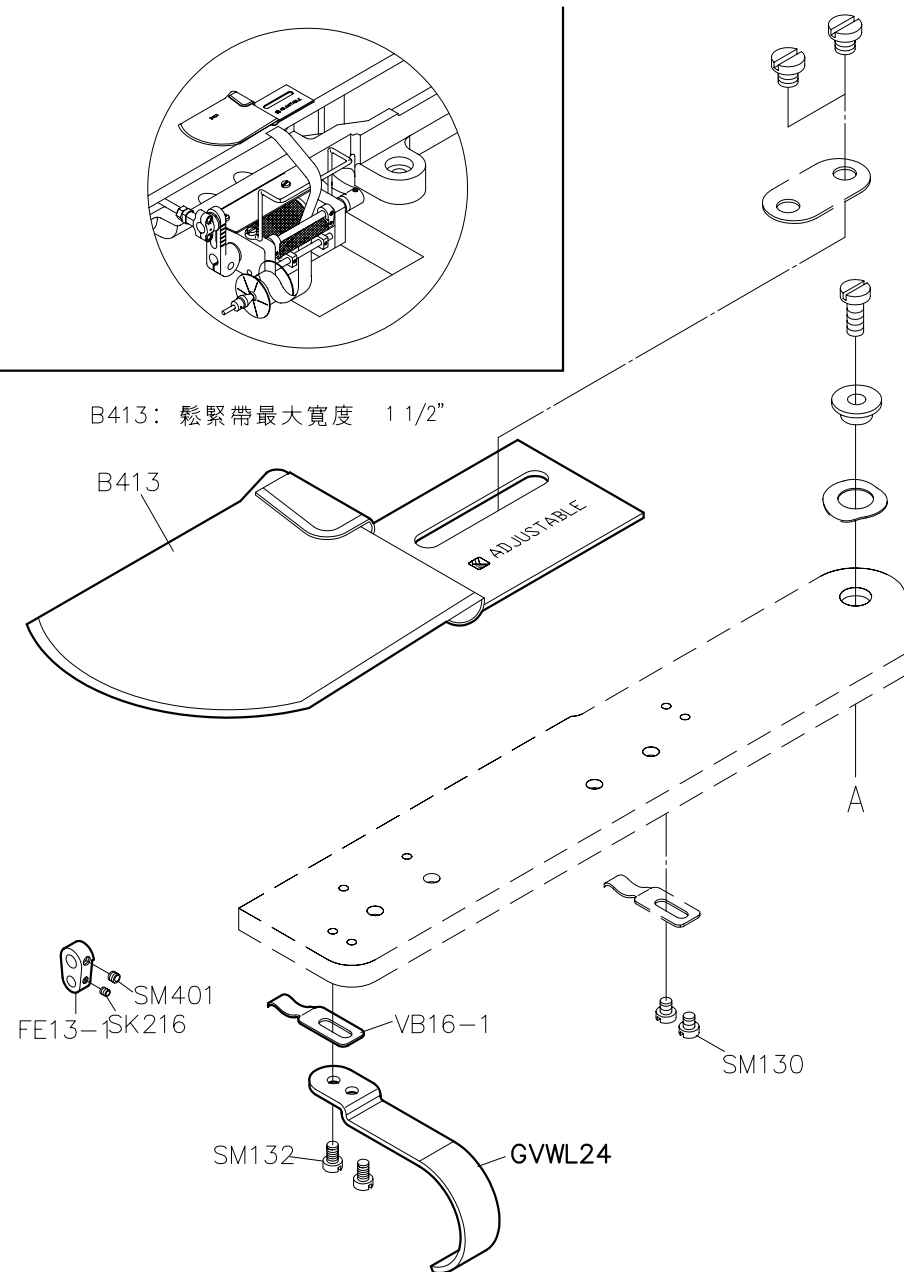
PARTS LIST FOR VUT (9) GROUP



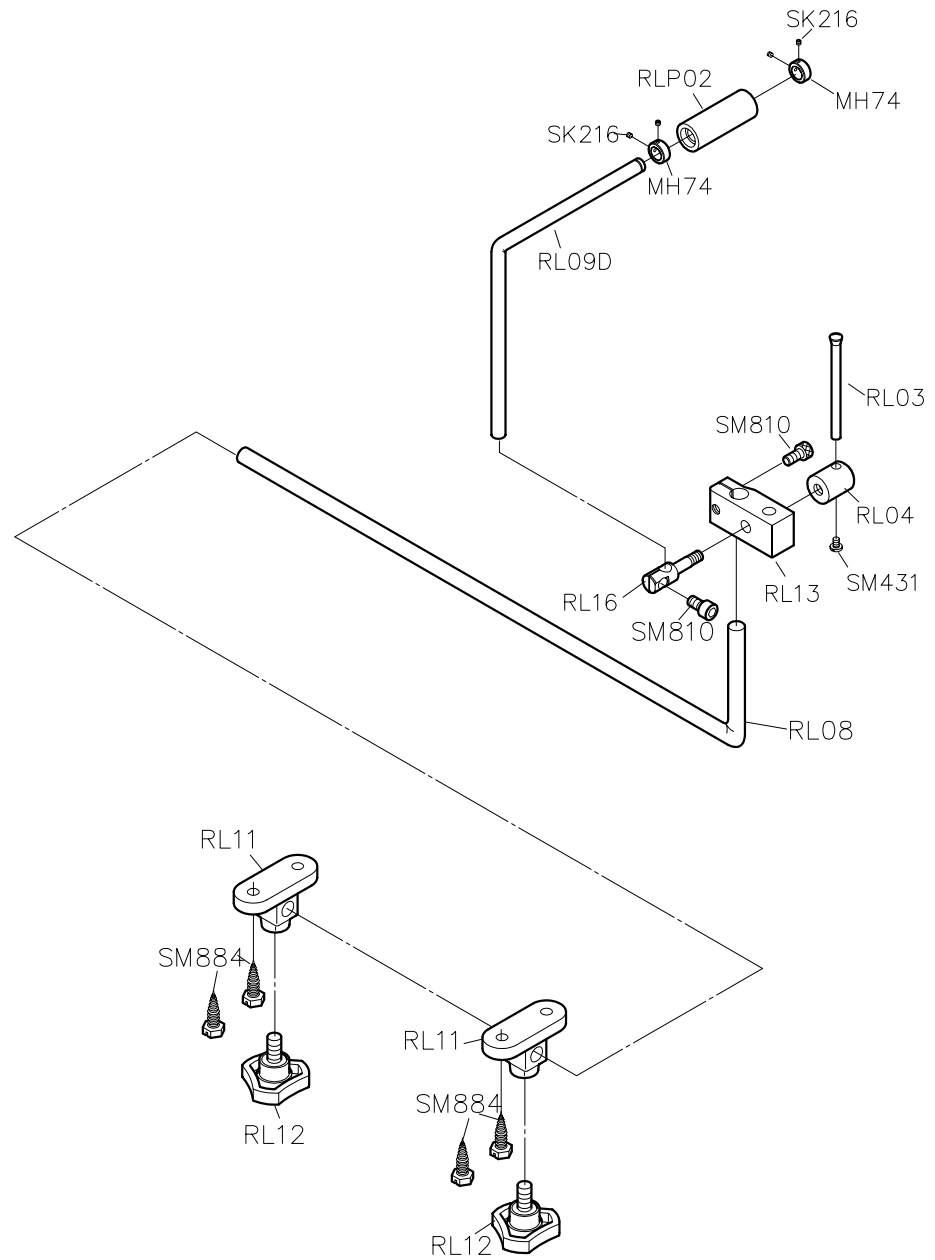
PARTS LIST FOR VWL (1) GROUP

PARTS LIST FOR VWL (2) GROUP

PARTS LIST FOR VWL (3) GROUP



零件編號 PARTS NO	成品尺寸 WIDTH AFTER BINDING	鬆緊帶尺寸 WIDTH BEFORE BINDING	機 型 MODEL
B411	33mm	31mm	VC008-095
B411P	30mm	28mm	VC008-085
B411Q	42mm	40mm	VC008-127
B411R	25mm	23mm	VC008-064
B411S	36mm	34mm	VC008-106



From the library of: Diamond Needle Corp

PARTS LIST FOR VWL (4) GROUP

From the library of: Diamond Needle Corp



VC008

ATTACHMENT

高林股份有限公司 KAULIN MFG. CO., LTD.
From the library of: Diamond

The specification and/or appearances of the equipment described in this parts list are subject to change because of modification without previous notice.

VY09. AUG. 2007